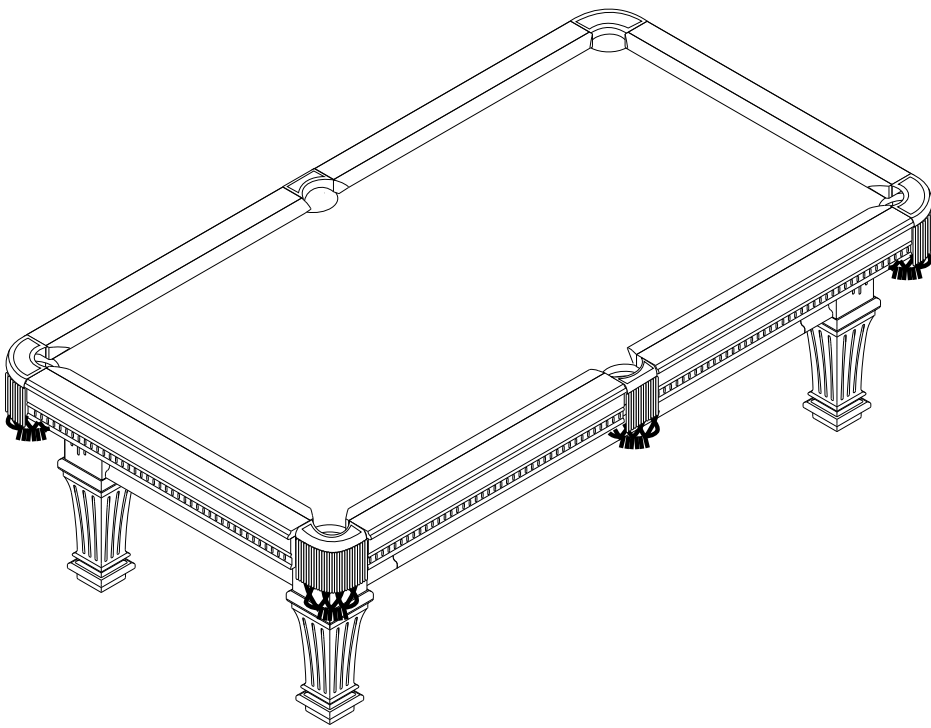






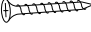




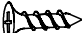
29-291508 29-291509  
29-291518 29-2920309

# *8' & 9' RAMSEY*


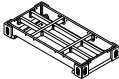
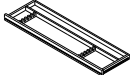
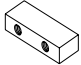
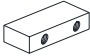





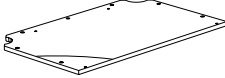
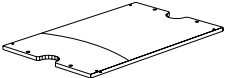



## **RAMSEY TABLE ASSEMBLY INSTRUCTIONS**

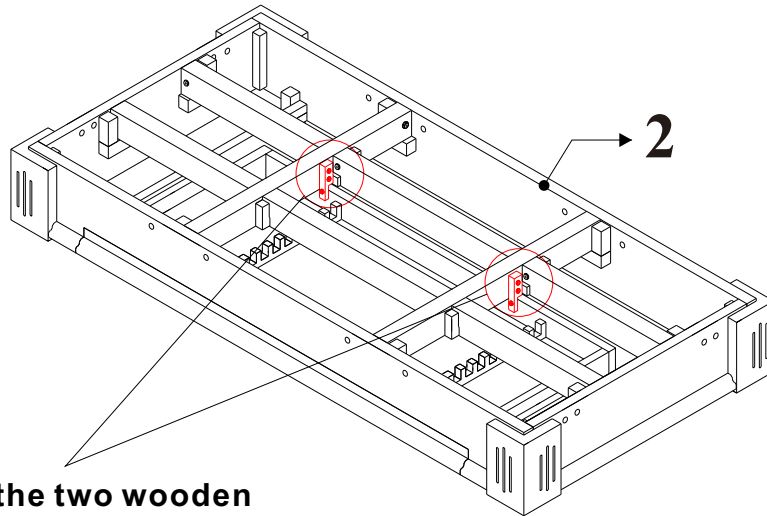
# REPLACEMENT PARTS LIST (HARDWARE)

PACKAGE	ITEM #	SAMPLE	DESCRIPTION	QTY.
<b>LEG/PANEL</b>	H1		<b>FLAT WASHER</b> (pre-attached on leg bolt)	/
	H2		<b>HEX NUT</b> (pre-attached on leg bolt)	/
<b>BEAM/ BLOCK</b>	H3		<b>HEX HEAD CROSS BOLT</b> 5/16" X 2"(M8X50mm)	16
	H4		<b>FLAT WASHER</b> 5/16" I.D.	16
<b>RAIL/PACKET/SLATE</b>	H5		<b>FLAT HEAD SCREW</b> 1/4" X 2-3/4"(M6X70mm)	12
	H6		<b>HEX HEAD CROSS BOLT</b> 5/16" X 1"(M8X25mm)	12
	H7		<b>FLAT WASHER</b> 5/16" I.D.	12
	H8		<b>HEX HEAD CROSS BOLT</b> 3/8" X 2-3/8"(M10X60mm)	18
	H9		<b>DOME WASHER</b> 3/8" I.D.	18
	H10		<b>FLAT HEAD SCREW</b> 5# X 1/2"(M3X12mm)	24

# REPLACEMENT PARTS LIST

PACKAGE	ITEM #	SAMPLE	DESCRIPTION	QTY.
LEG	1		LEG	4
FRAME (PANEL)	2		CABINET	1
	3		DRAWER	1
	4		LONG WOODEN BLOCK	4
	5		SHORT WOODEN BLOCK	4
TOP RAIL	6		TOP RAIL LEFT SIDE	2
	7		TOP RAIL RIGHT SIDE	2
	8		TOP RAIL END	2
POCKET	9		SIDE POCKET	2
	10		CORNER POCKET	4
SLATE	11		SLATE (LEFT)	1
	12		SLATE (CENTER)	1
	13		SLATE (RIGHT)	1

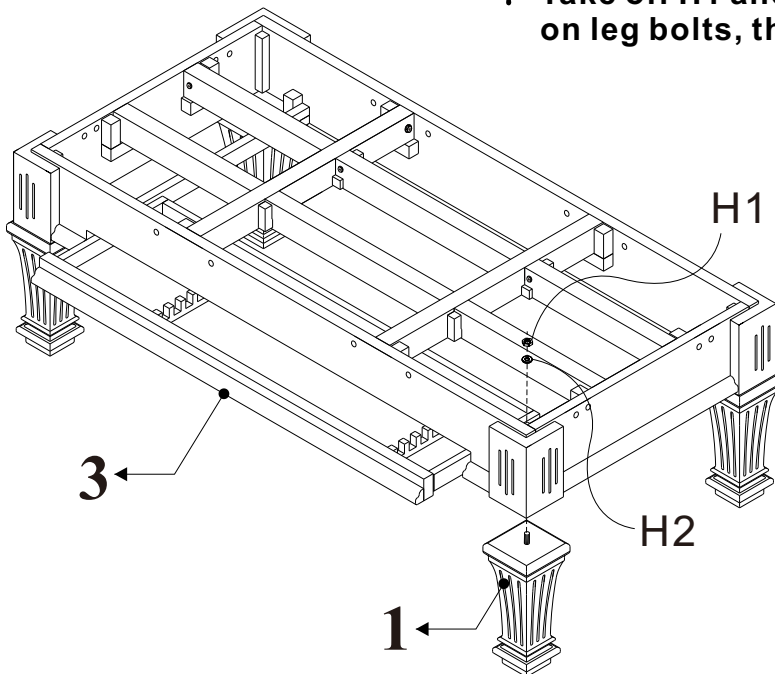
**FIG.1**



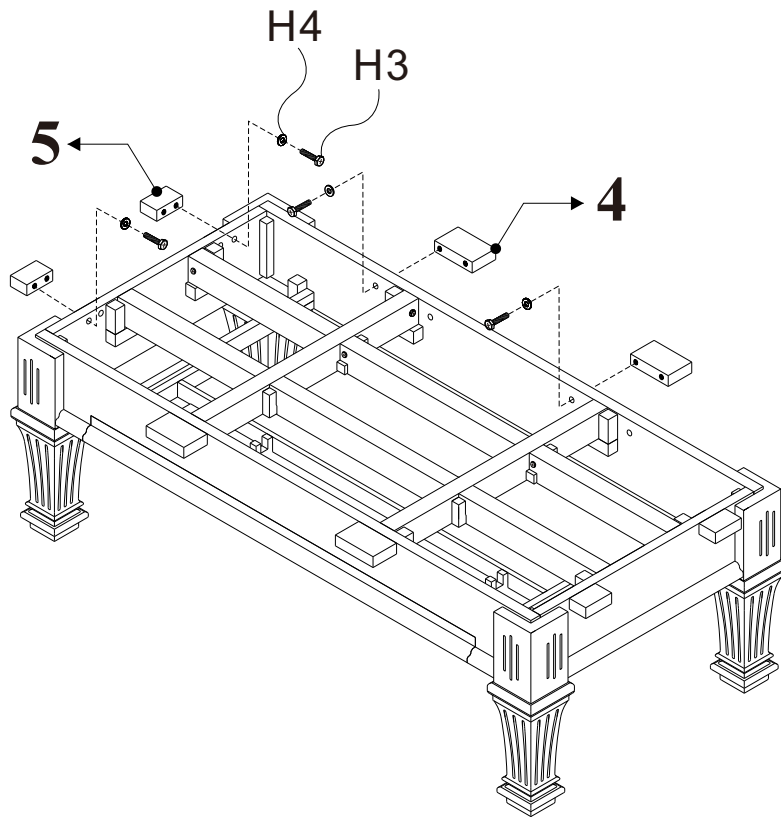
**\* Remove the two wooden blocks after attaching the legs**

**FIG.2**

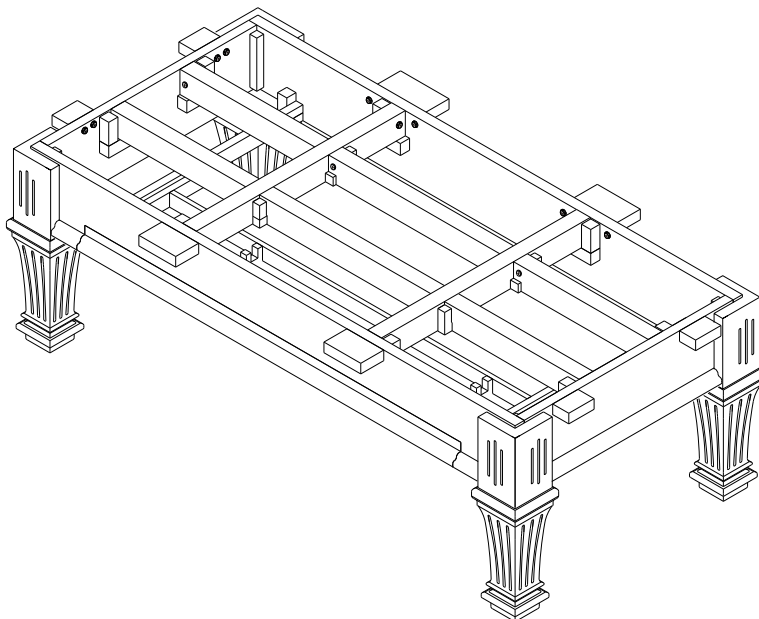
**\* Take off H1 and H2 that pre-attached on leg bolts, then assemble the cabinet**



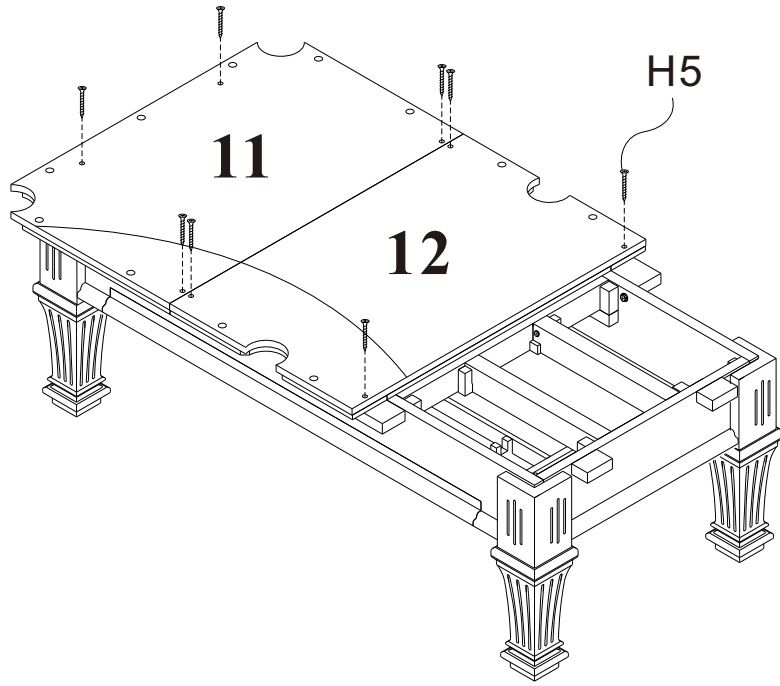
**FIG.3**



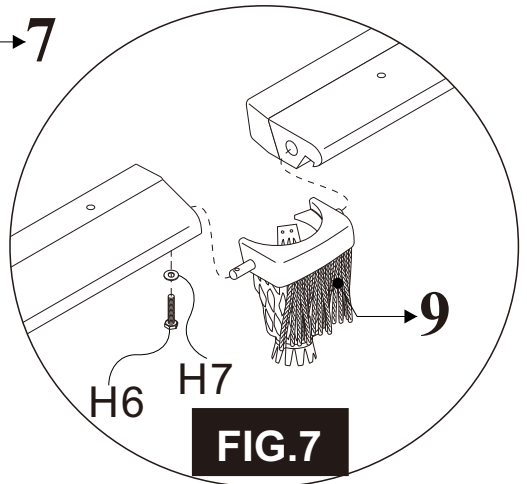
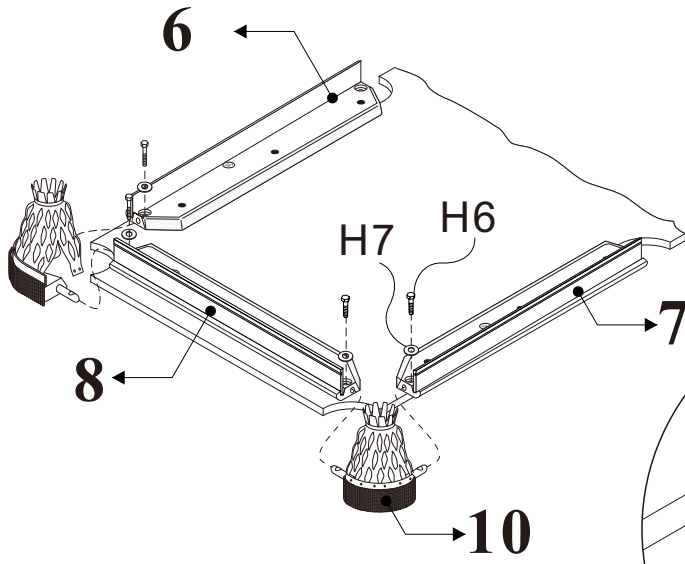
**FIG.4**



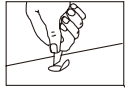
**FIG.5**



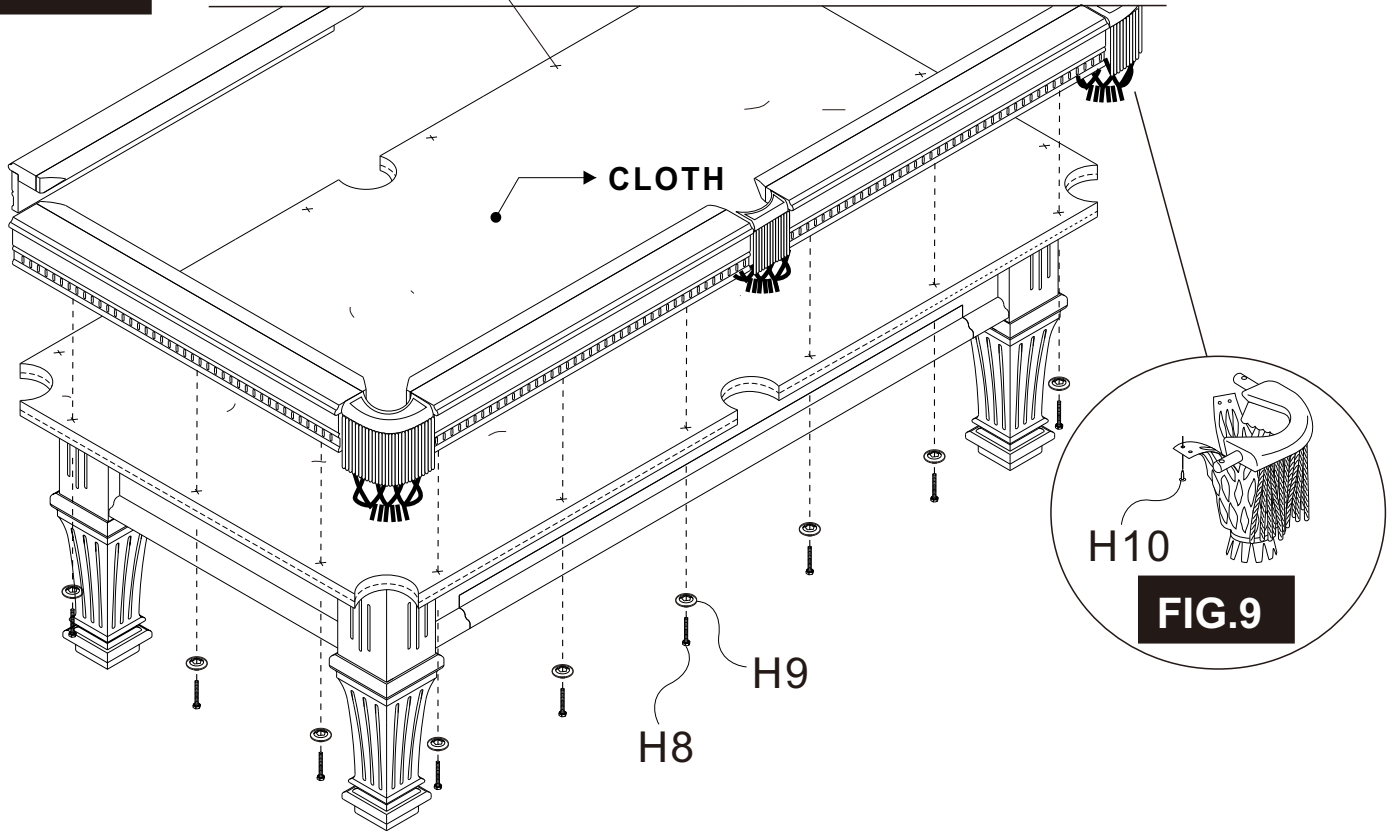
**FIG.6**



Cut holes in cloth at rail both locations.



**FIG.8**



**FINISH**

