

# LAREDO

AIR HOCKEY



Warning

Adult Assembly Required

Asamblea de adultos de advertencia necesaria



MODEL # / No. de Laredo

**#26-3585**

Assembly and Instructions/Asamblea e Instrucciones

## **Congratulations!**

**We hope you will have many hours of enjoyable use with your new Air Hockey Table!**



### **PLEASE KEEP YOUR INSTRUCTIONS!**

- Your Model number is necessary should you need to contact us.
- Please read through this instruction book to familiarize yourself with all the parts and assembly steps.
- Refer to the Parts Identifier and verify that all parts have been included.



### **WARNING!**

This is not a child's toy. Adult supervision is required for children playing this game. Please read instructions carefully. Proper use of this set can avoid damage or injury.



### **BEFORE ASSEMBLY:**

- Did you receive   1   box?
- Did you inspect your playfield/main table frame before assembly? It is not replaceable and must be returned to the original place of purchase if damaged.



### **TOOLS REQUIRED FOR ASSEMBLY:**

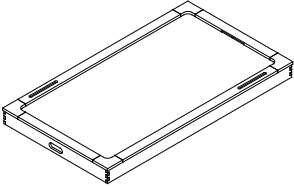
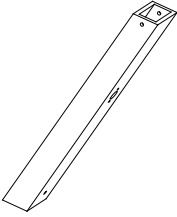
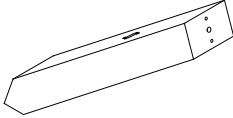
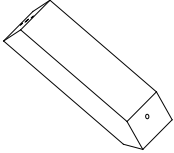
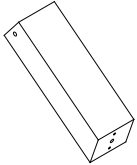
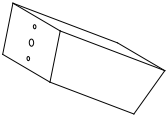
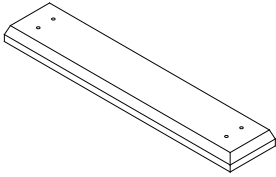
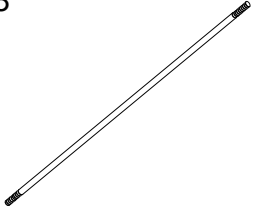
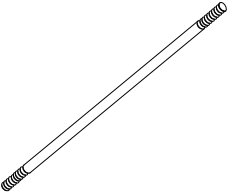
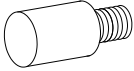
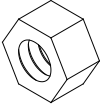
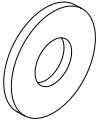
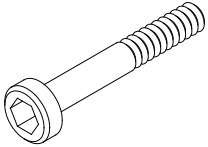
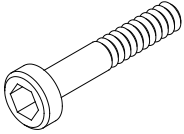
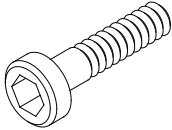
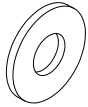
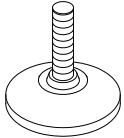
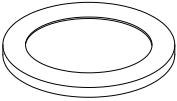
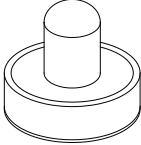


- Phillips and Slotted Head Screwdrivers / or Power Driver (not included)
- Allen Wrench (included)

## **ASSEMBLY INSTRUCTIONS:**

**We recommend that two adults work together to assemble this table.**

- The table will be assembled upside down. This is a very heavy table and turning it right side up will require at least two strong adults.
- We suggest that you use the bottom carton as a clean flat work area to protect the top of your Air Hockey table while assembling.

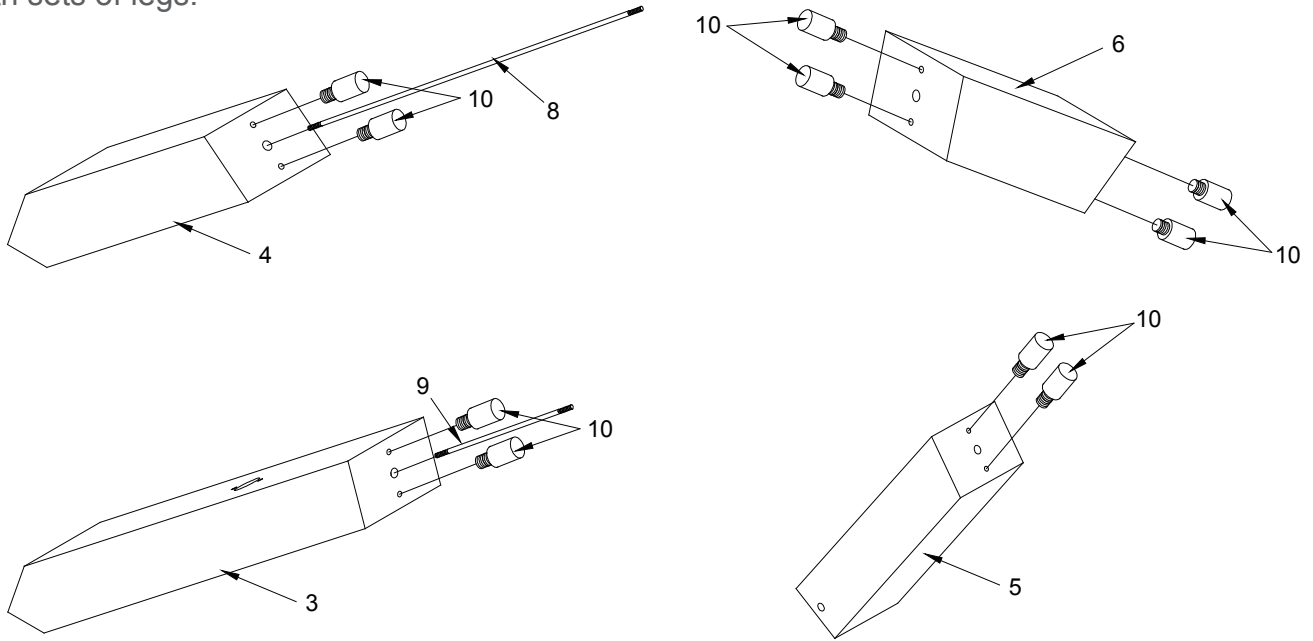
# Parts List

<p>#1</p>  <p>Main cabinet 1 piece</p>	<p>#2</p>  <p>Leg A 2 pieces</p>	<p>#3</p>  <p>Leg B 2 pieces</p>	<p>#4</p>  <p>Leg C 2 pieces</p>
<p>#5</p>  <p>Leg D 4 pieces</p>	<p>#6</p>  <p>Leg E 2 pieces</p>	<p>#7</p>  <p>Foot 2 pieces</p>	<p>#8</p>  <p>Long support rod A 2 pieces</p>
<p>#9</p>  <p>Long support rod B 2 pieces</p>	<p>#10</p>  <p>Tenon 24 pieces</p>	<p>#11</p>  <p>5/16" Nut 4 pieces</p>	<p>#12</p>  <p>5/16"X35mm Washer 4 pieces</p>
<p>#13</p>  <p>5/16"X3" Bolt 4 pieces</p>	<p>#14</p>  <p>5/16"X2" Bolt 8 pieces</p>	<p>#15</p>  <p>5/16"X1-1/2" Bolt 16 pieces</p>	<p>#16</p>  <p>5/16"X23mm Washer 28 pieces</p>
<p>#17</p>  <p>Leg leveler 4 pieces</p>	<p>#18</p>  <p>Puck 4 pieces</p>	<p>#19</p>  <p>Pusher 4 pieces</p>	<p>#20</p>  <p>Wrench 1 piece</p>
<p>#21</p>  <p>Allen Key 1 piece</p>			

## Step 1:

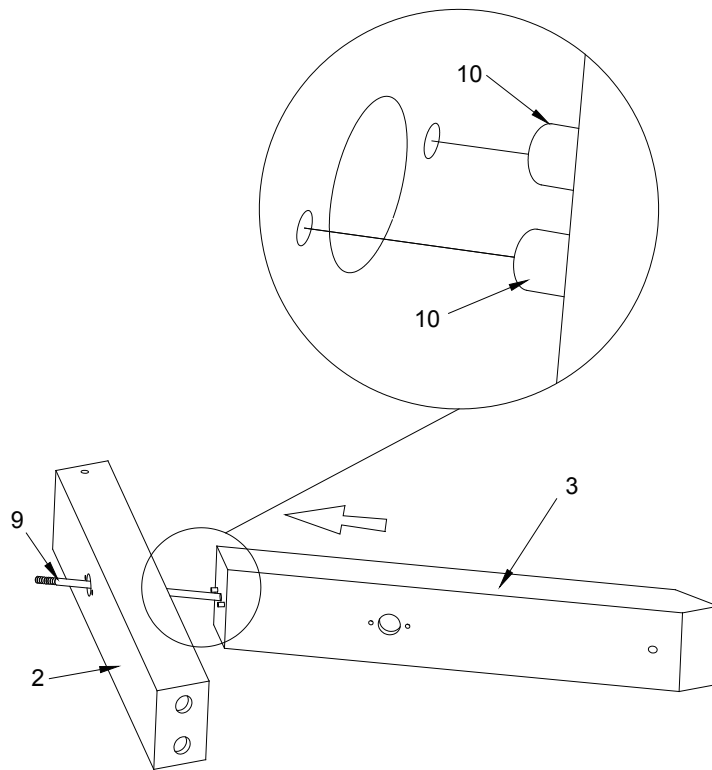
Screw #10 tenon in to #3 Leg B, #4 Leg C, #5 Leg D and #6 Leg E.

Screw #8 iron rod in to #4 Leg C and #9 iron rod in to #3 Leg B. Repeat these steps for both sets of legs.



## Step 2:

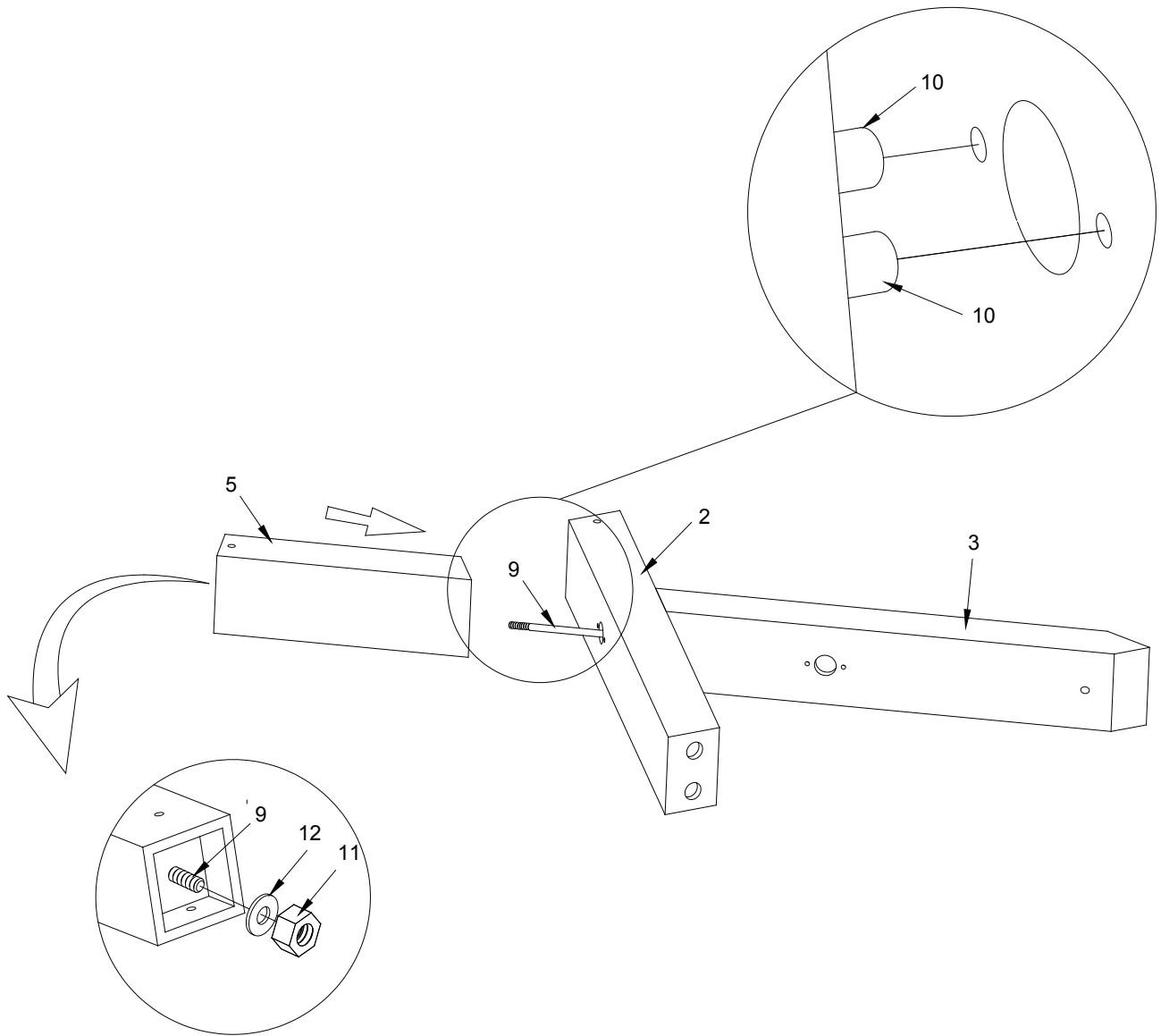
Attach #3 Leg B through #2 Leg A using.



### Step 3:

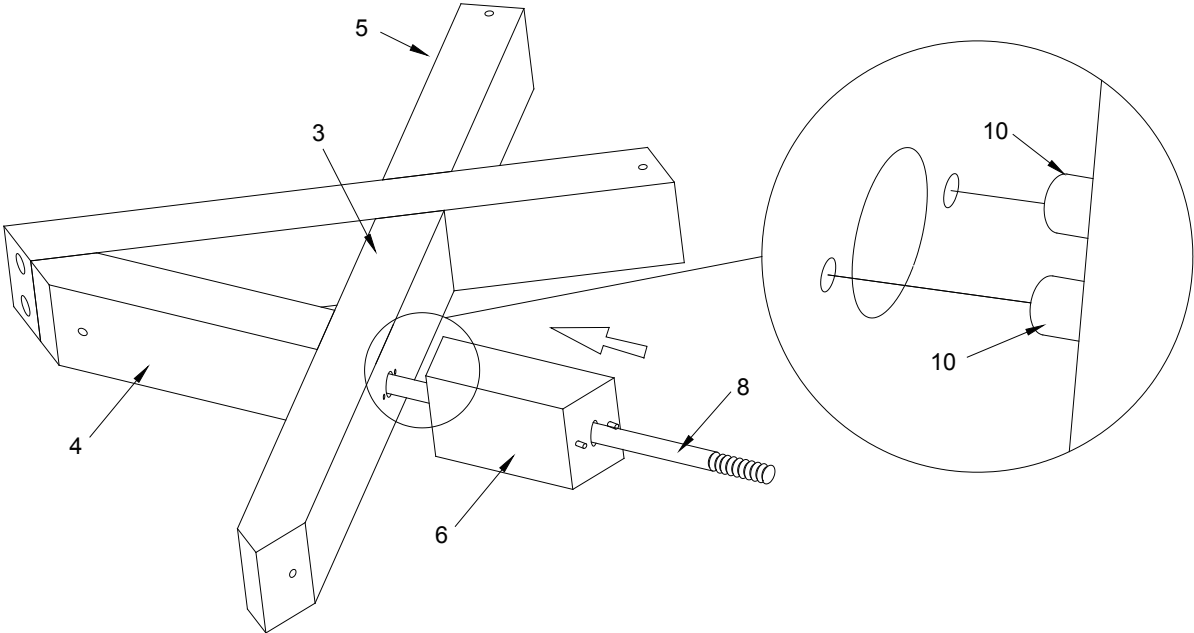
Attach #3 Leg C #5 Leg D through #2 Leg A using.

tightening with #12 washer and #11 nut. Repeat this process for both legs.



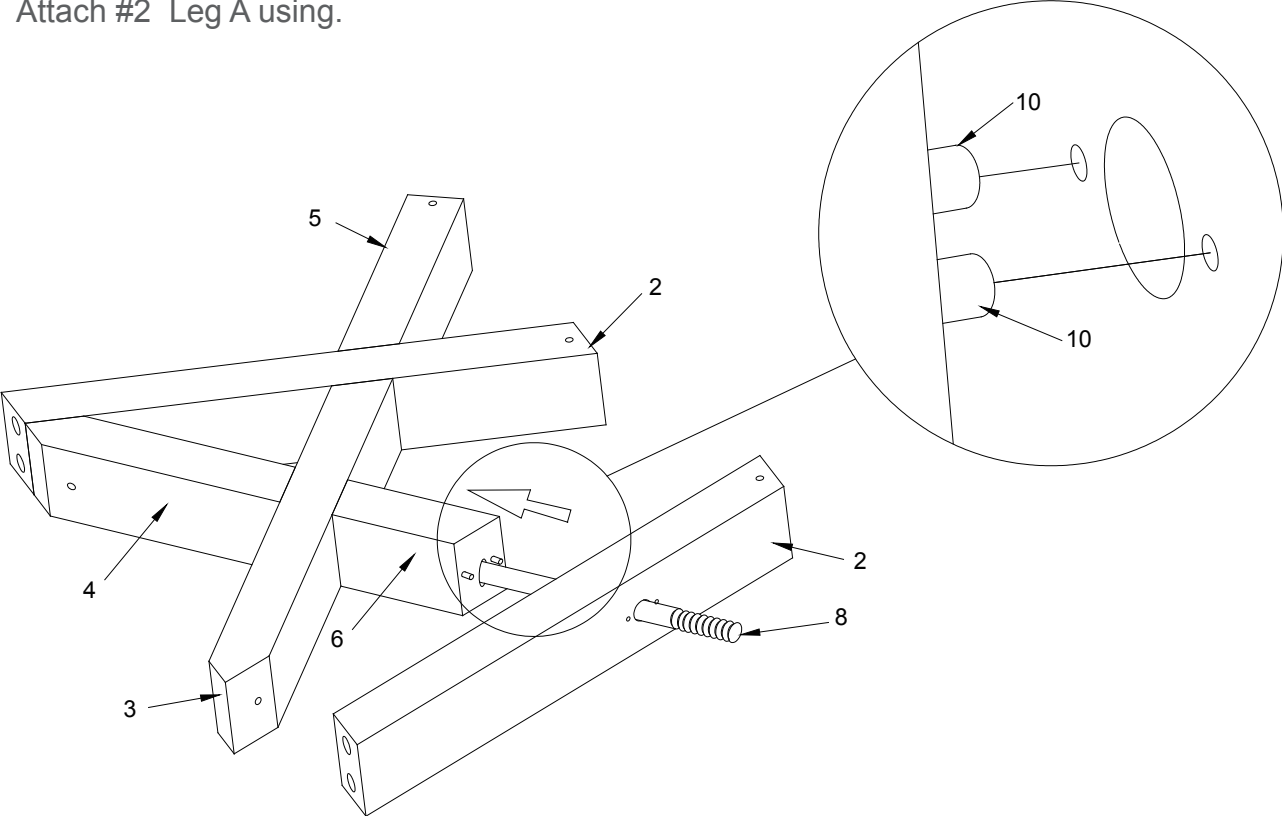
**Step 4:**

Attach #4 Leg C #6 Leg E through #3 Leg B using.



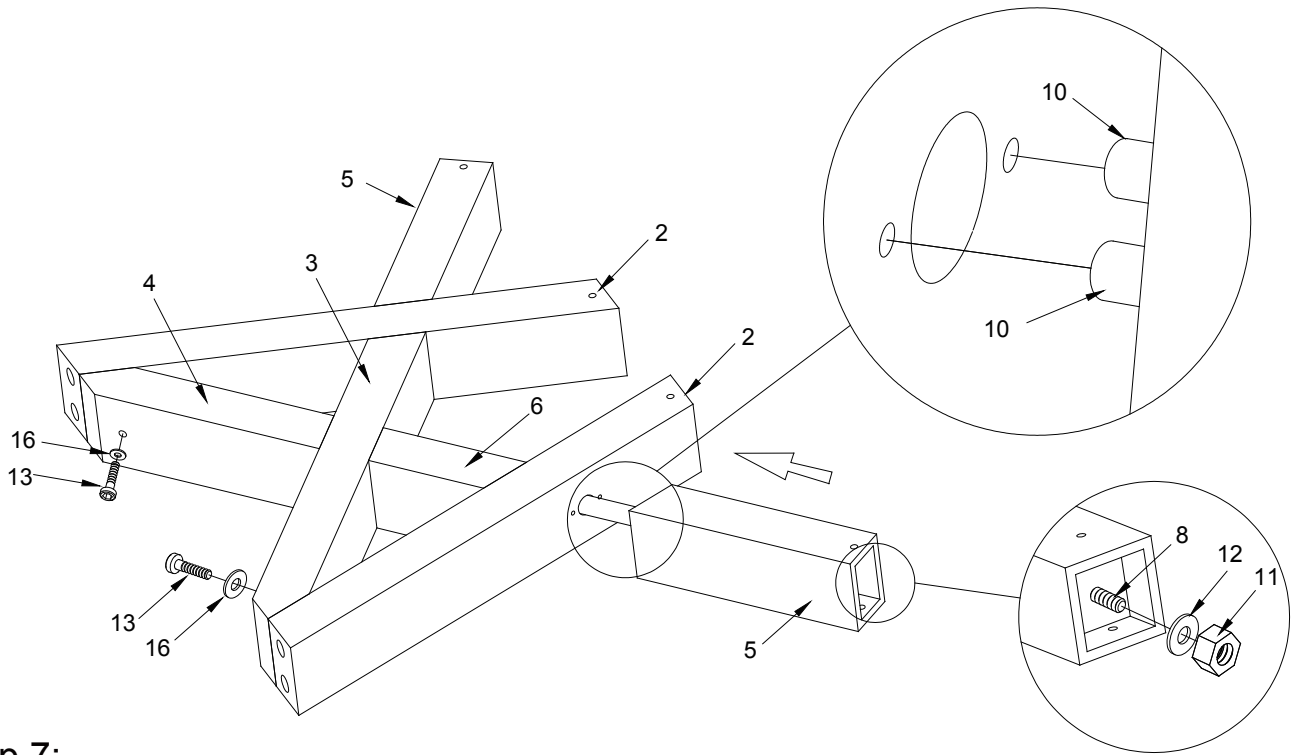
**Step 5:**

Attach #2 Leg A using.



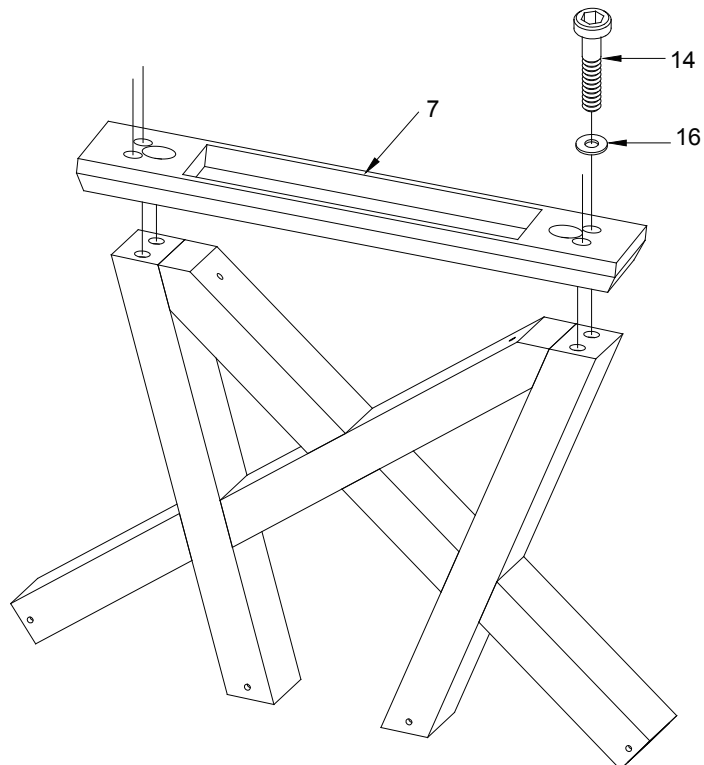
## Step 6:

tightening with #12 washer and #11 nut. Repeat this process for both legs.  
Using #13 bolt and #16 washer to attach #3 Leg B and #4 Leg C .



## Step 7:

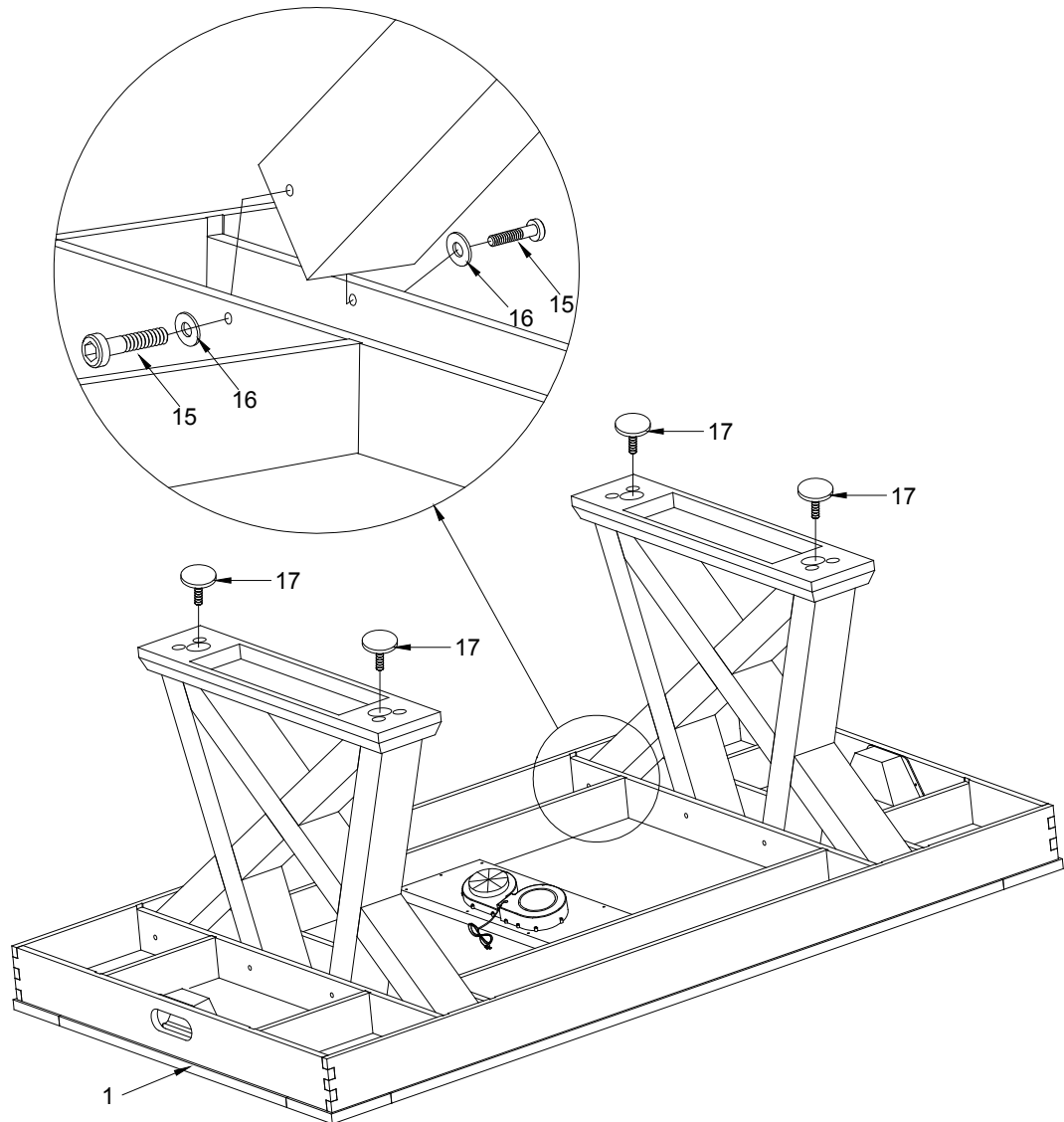
Using #14 bolt and #16 washer to attach #7 foot .



## Step 8:

Attach legs into the bottom of the table using #15 bolt and #16 washer.

Then screw in #17 leg levelers.





## Step 9:

Using two strong adults, carefully turn the table right side up.  
Assembly is now complete, enjoy your new air hockey table!

