

# HOMESTEAD

AIR HOCKEY



Warning

Adult Assembly Required

Asamblea de adultos de advertencia necesaria



MODEL # / No. de Homestead

**#26-3560**

Assembly and Instructions/Asamblea e Instrucciones

## **Congratulations!**

**We hope you will have many hours of enjoyable use with your new Air Hockey Table!**



### **PLEASE KEEP YOUR INSTRUCTIONS!**

- Your Model number is necessary should you need to contact us.
- Please read through this instruction book to familiarize yourself with all the parts and assembly steps.
- Refer to the Parts Identifier and verify that all parts have been included.



### **WARNING!**

This is not a child's toy. Adult supervision is required for children playing this game. Please read instructions carefully. Proper use of this set can avoid damage or injury.



### **BEFORE ASSEMBLY:**

- Did you receive   1   box?
- Did you inspect your playfield/main table frame before assembly? It is not replaceable and must be returned to the original place of purchase if damaged.



### **TOOLS REQUIRED FOR ASSEMBLY:**

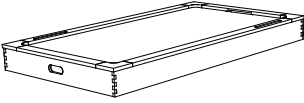
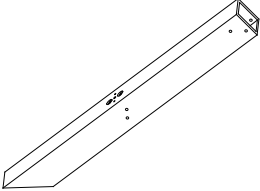
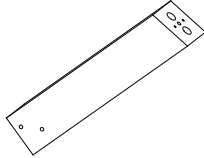
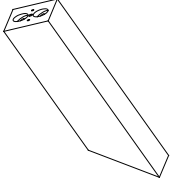
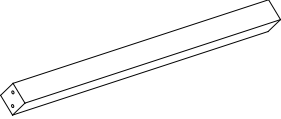
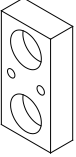
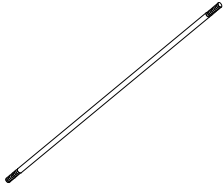
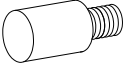
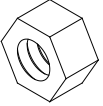
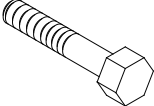
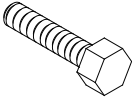
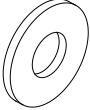
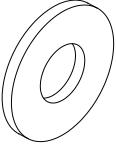
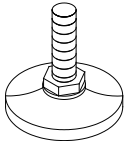

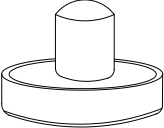
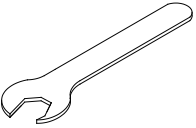
- Phillips and Slotted Head Screwdrivers / or Power Driver (not included)
- Allen Wrench (included)

## **ASSEMBLY INSTRUCTIONS:**

**We recommend that two adults work together to assemble this table.**

- The table will be assembled upside down. This is a very heavy table and turning it right side up will require at least two strong adults.
- We suggest that you use the bottom carton as a clean flat work area to protect the top of your Air Hockey table while assembling.

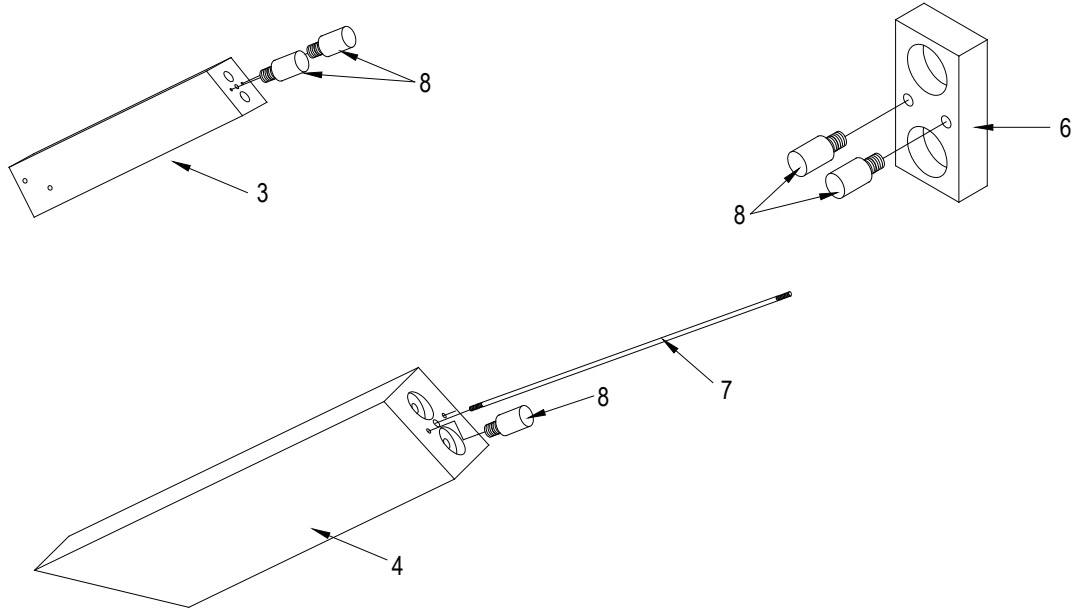
# Parts List

<p>#1</p>  <p>Main cabinet 1 piece</p>	<p>#2</p>  <p>Left leg 2 pieces</p>	<p>#3</p>  <p>Right leg A 2 pieces</p>	<p>#4</p>  <p>Right leg B 2 pieces</p>
<p>#5</p>  <p>Leg connector 1 piece</p>	<p>#6</p>  <p>Bolt plate 2 pieces</p>	<p>#7</p>  <p>Long support rod 2 pieces</p>	<p>#8</p>  <p>Tenon 12 pieces</p>
<p>#9</p>  <p>5/16" Nut 2 pieces</p>	<p>#10</p>  <p>5/16"X5-1/2" Bolt 8 pieces</p>	<p>#11</p>  <p>5/16"X1-1/4" Bolt 16 pieces</p>	<p>#12</p>  <p>5/16"X23mm Washer 24 pieces</p>
<p>#13</p>  <p>5/16"X35mm Washer 2 pieces</p>	<p>#14</p>  <p>Leg leveler 4 pieces</p>	<p>#15</p>  <p>Puck 4 pieces</p>	<p>#16</p>  <p>Pusher 4 pieces</p>
<p>#17</p>  <p>Wrench 1 piece</p>			

## Step 1:

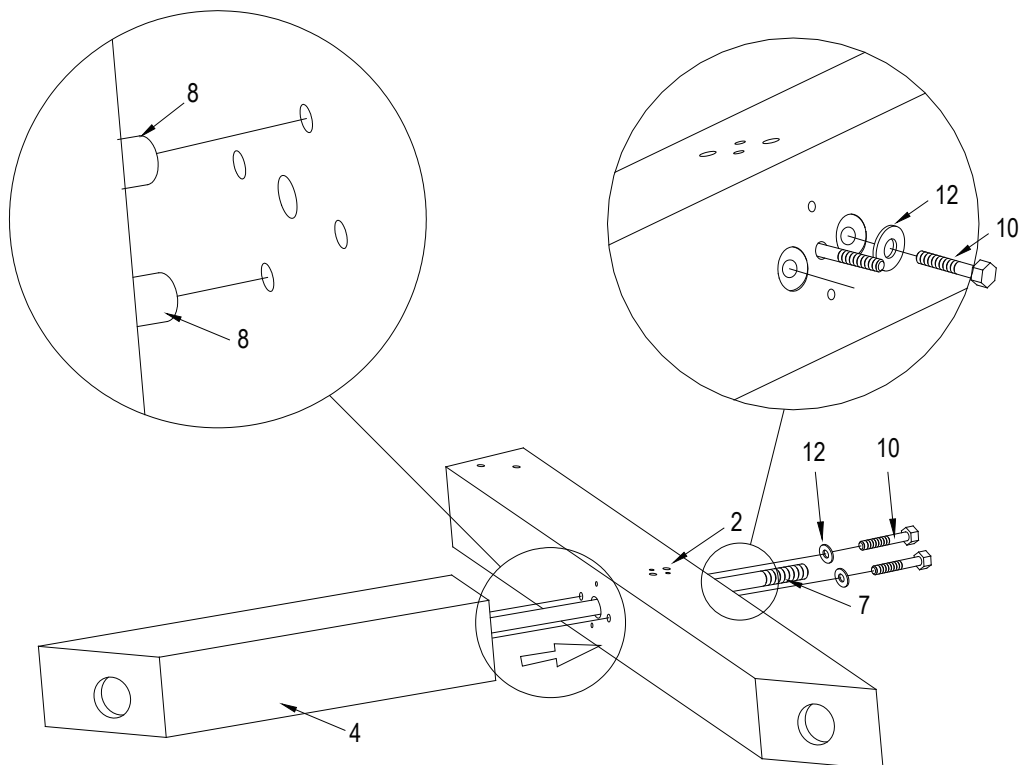
Screw #8 tenon in to #3 Leg A, #4 Leg B, and #6 Wood blocks.

Screw #7 iron rod in to #4 Leg B. Repeat these steps for both sets of legs.



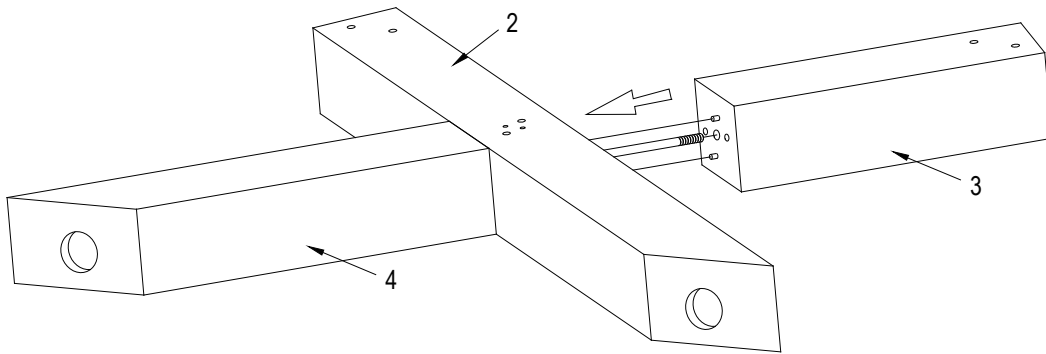
## Step 2:

Attach #4 Leg B through #2 Left Leg using, tight with #12 washer and #10 bolt. .



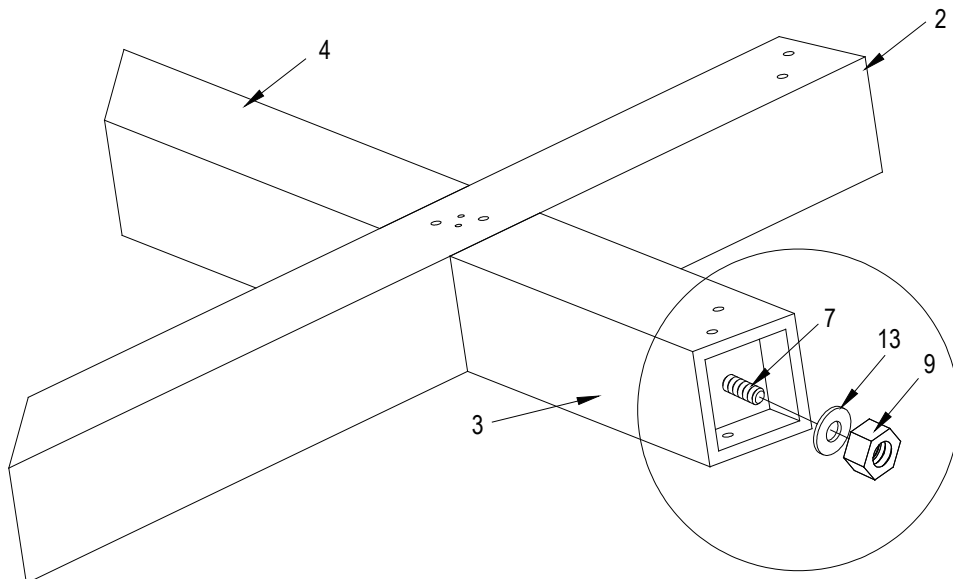
### Step 3:

Attach #3 Leg A through .



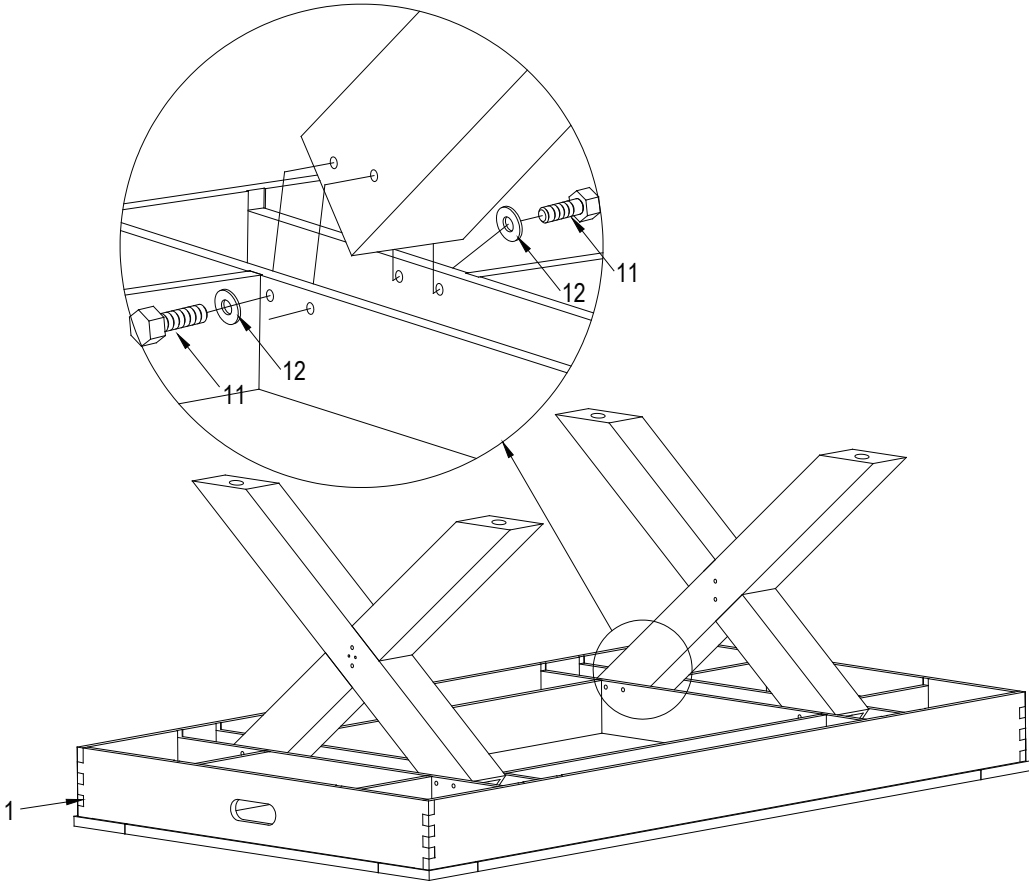
### Step 4:

tightening with #13 washer and #9 nut. Repeat this process for both legs.



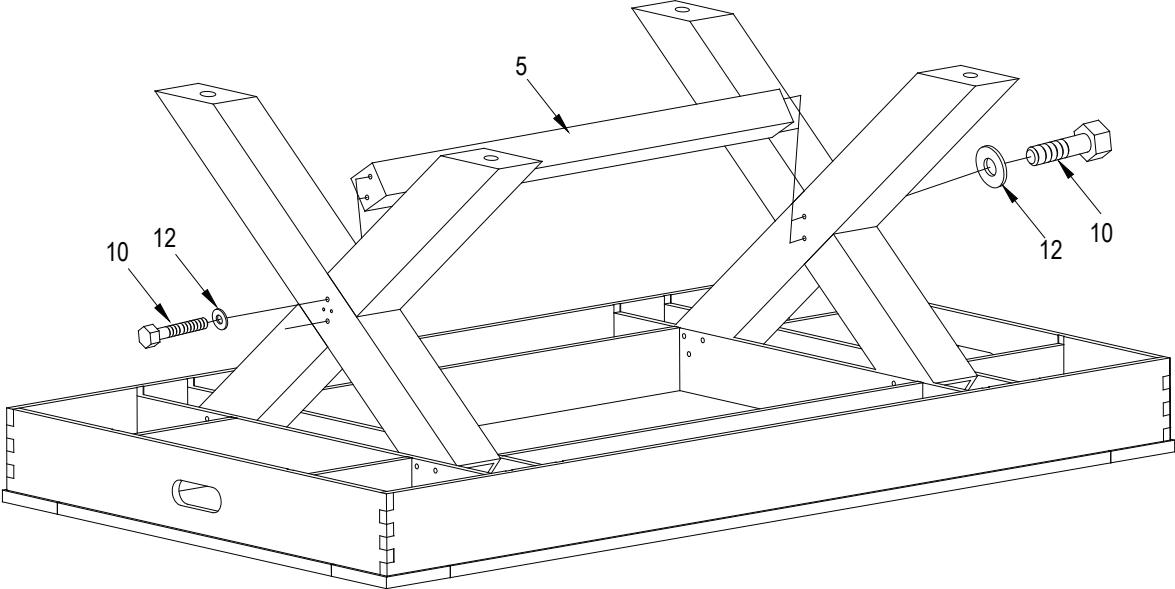
**Step 5:**

Attached the assembled leg set to the main cabinet using #12 washers and #11 bolts



**Step 6:**

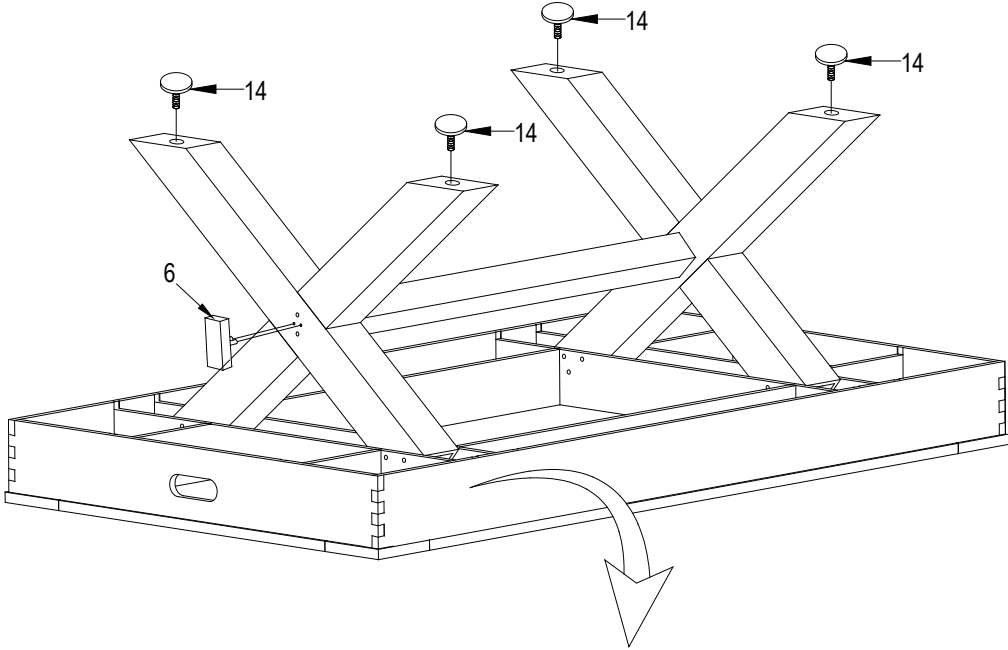
Attach #5 leg connector to both assembled legs using #12 washer and #10 bolt.



**Step 7:**

Insert #6 wood block on to leg, repeat on both sides

Then screw in #14 leg levelers.



**Step 8:**

Using two strong adults turn the table right side up.

