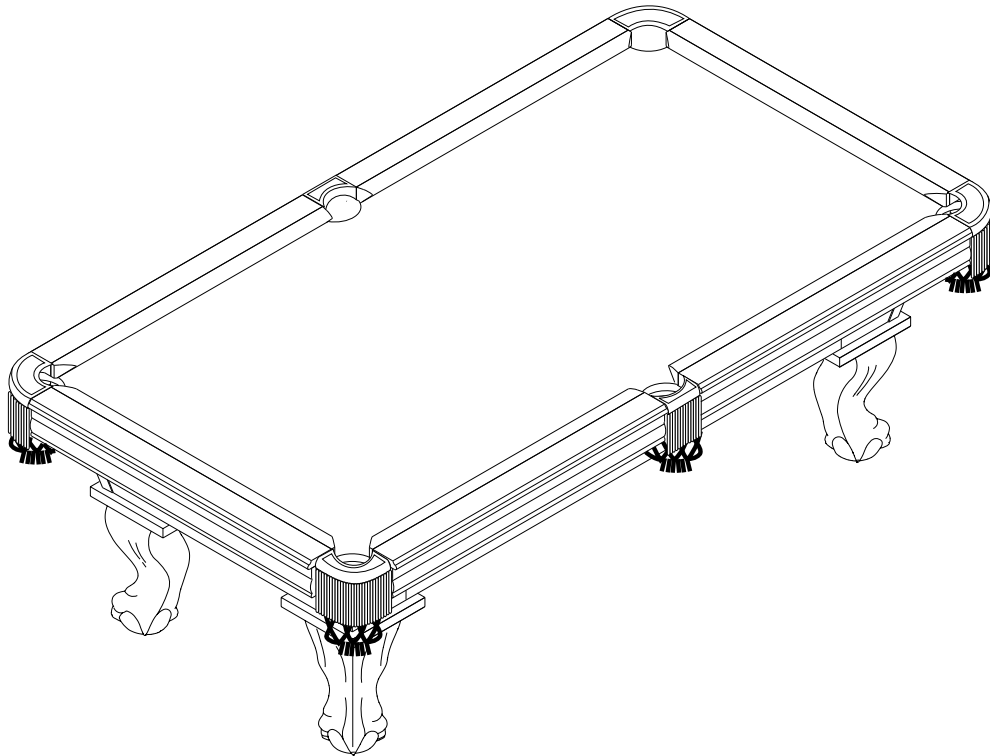


IMP 0029-29202607  
IMP 0029-29202637  
IMP 0029-29202667  
IMP 0029-29202608  
IMP 0029-29202638  
IMP 0029-29202668







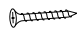
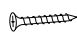


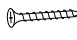




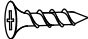
IMP 0029-29202617  
IMP 0029-29202647  
IMP 0029-29202677  
IMP 0029-29202618  
IMP 0029-29202648  
IMP 0029-29202678

IMP 0029-29202627  
IMP 0029-29202657  
IMP 0029-29202687  
IMP 0029-29202628  
IMP 0029-29202658  
IMP 0029-29202688




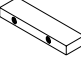


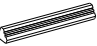
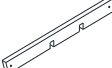
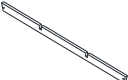









# **RESOLUTE TABLE ASSEMBLY INSTRUCTIONS**

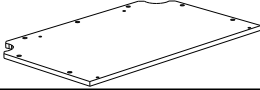
## REPLACEMENT PARTS LIST (HARDWARE)

| PACKAGE           | ITEM# | SAMPLE  | DESCRIPTION                                    | QTY. |
|-------------------|-------|---|--|------|
| LEG/PANEL         | H1    |    | FLAT WASHER<br>(pre-attached on leg bolt)      | /    |
|                   | H2    |    | HEX NUT<br>(pre-attached on leg bolt)          | /    |
|                   | H3    |    | HEX HEAD CROSS BOLT<br>5/16" X 1-1/4"(M8X32mm) | 4    |
|                   | H4    |    | FLAT WASHER<br>5/16" I.D.                      | 4    |
|                   | H5    |    | HEX HEAD CROSS BOLT<br>5/16" X 11/16"(M8X17mm) | 24   |
|                   | H6    |   | FLAT WASHER<br>5/16" I.D.                      | 24   |
|                   | H7    |  | FLAT HEAD SCREW<br>8# X 1-3/8"(M4X35mm)        | 8    |
|                   | H8    |  | FLAT HEAD SCREW<br>12# X 1-3/8"(M5X35mm)       | 8    |
| BEAM/BLOCK        | H9    |  | HEX HEAD CROSS BOLT<br>5/16" X 2"(M8X51mm)     | 24   |
|                   | H10   |  | FLAT WASHER<br>5/16" I.D.                      | 24   |
| RAIL/POCKET/SLATE | H11   |  | FLAT HEAD SCREW<br>1/4" X 2-3/4"(M6X70mm)      | 12   |
|                   | H12   |  | HEX HEAD CROSS BOLT<br>5/16" X 1"(M8X25mm)     | 12   |
|                   | H13   |  | FLAT WASHER<br>5/16" I.D.                      | 12   |
|                   | H14   |  | HEX HEAD CROSS BOLT<br>3/8" X 2-3/8"(M10X60mm) | 18   |
|                   | H15   |  | DOME WASHER<br>3/8" I.D.                       | 18   |
|                   | H16   |  | FLAT HEAD SCREW<br>5# X 1/2"(M3X12mm)          | 30   |
|                   |       |   |  |      |

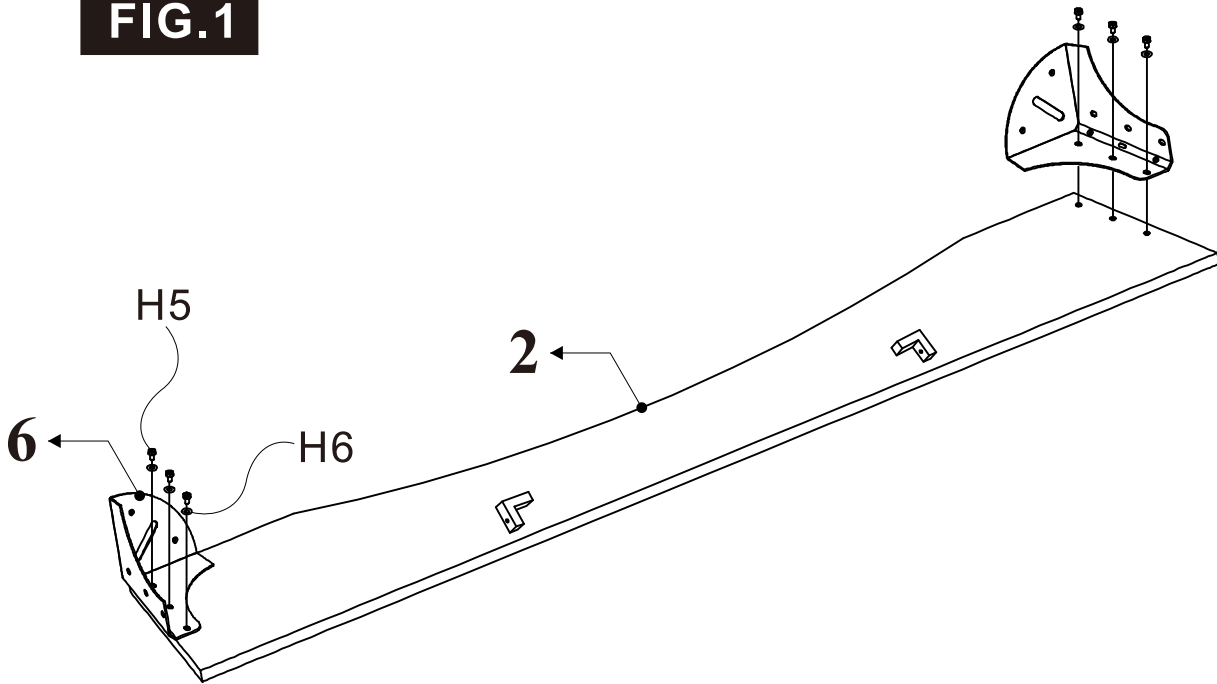
## REPLACEMENT PARTS LIST

| PACKAGE      | ITEM# | SAMPLE  | DESCRIPTION   | QTY.       |
|--------------|-------|---|---|------------|
| LEG          | 1     |    | LEG   | 4          |
| FRAME(PANEL) | 2     |    | SIDE CABINET PANEL  | 2          |
|              | 3     |    | END CABINET PANEL   | 2          |
|              | 4     |    | LONGWOODEN BLOCK  | 4          |
|              | 5     |    | SHORT WOODEN BLOCK  | 4          |
|              | 6     |   | LEG BRACKET   | 4          |
|              | 7     |  | CORNER POST   | 4          |
|              | BEAM  | 8   |  | CROSS BEAM |
| 9            |       |  | CENTER BEAM   | 2          |
| TOP RAIL     | 10    |  | TOP RAIL LEFT SIDE  | 2          |
|              | 11    |  | TOP RAIL RIGHT SIDE   | 2          |
|              | 12    |  | TOP RAIL END  | 2          |
| POCKET       | 13    |  | SIDE POCKET   | 2          |
|              | 14    |  | CONER POCKET  | 4          |
| SLATE        | 15    |  | SLATE (LEFT)  | 1          |
|              | 16    |  | SLATE (CENTER)  | 1          |

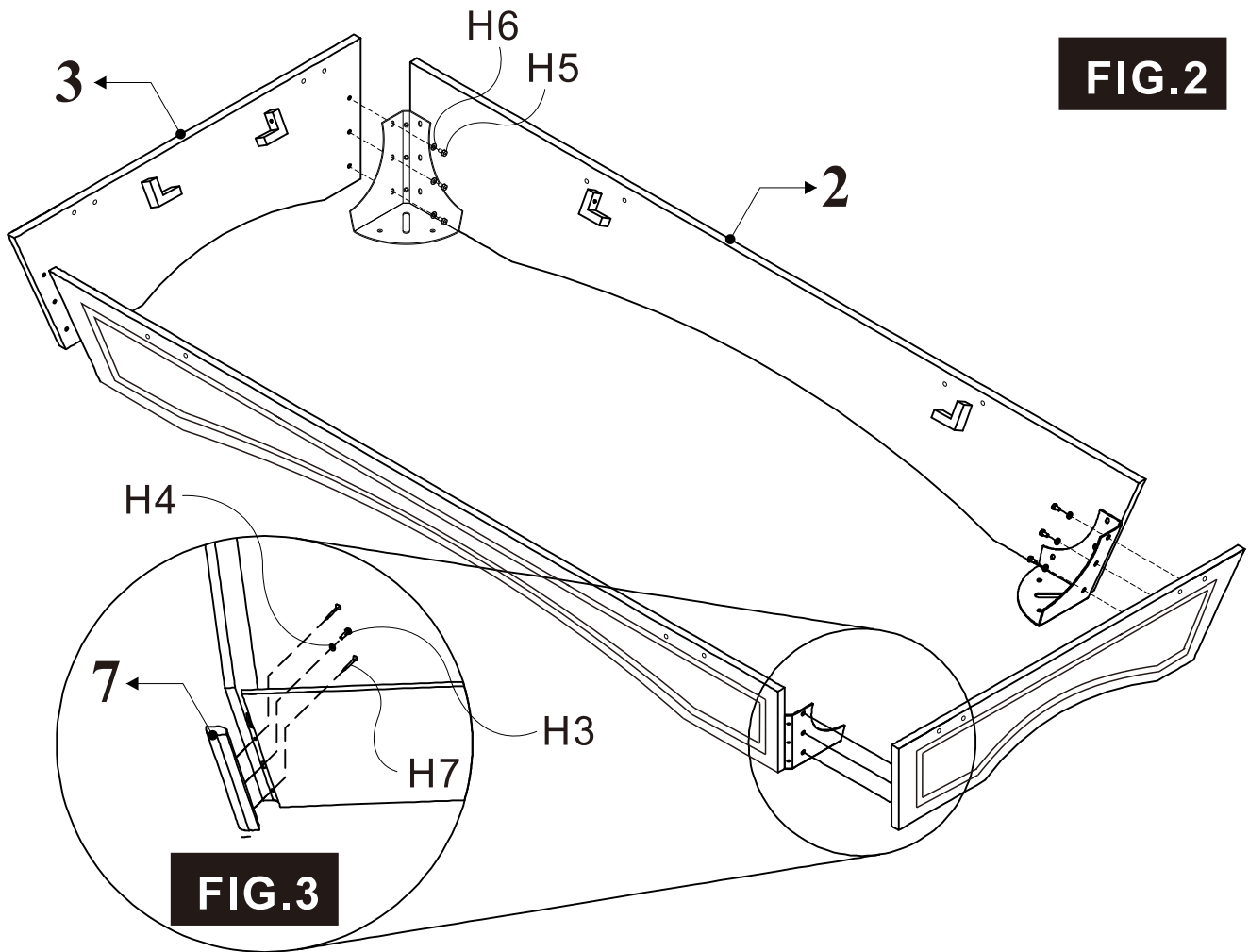
**REPLACEMENT PARTS LIST**

| <b>PACKAGE</b> | <b>ITEM#</b> | <b>SAMPLE</b>   | <b>DESCRIPTION</b>   | <b>QTY.</b> |
|----------------|--------------|---|----------------------|-------------|
|                | 17           |  | <b>SLATE (RIGTH)</b> | 1           |
|                |              |   |                      |             |
|                |              |   |                      |             |
|                |              |   |                      |             |
|                |              |   |                      |             |
|                |              |   |                      |             |
|                |              |   |                      |             |
|                |              |   |                      |             |
|                |              |   |                      |             |
|                |              |   |                      |             |
|                |              |   |                      |             |
|                |              |   |                      |             |
|                |              |   |                      |             |
|                |              |   |                      |             |
|                |              |   |                      |             |
|                |              |   |                      |             |
|                |              |   |                      |             |
|                |              |   |                      |             |
|                |              |   |                      |             |
|                |              |   |                      |             |
|                |              |   |                      |             |
|                |              |   |                      |             |
|                |              |   |                      |             |

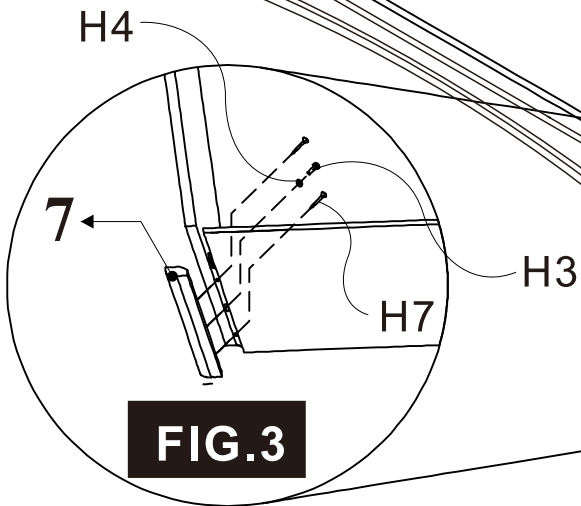
**FIG.1**

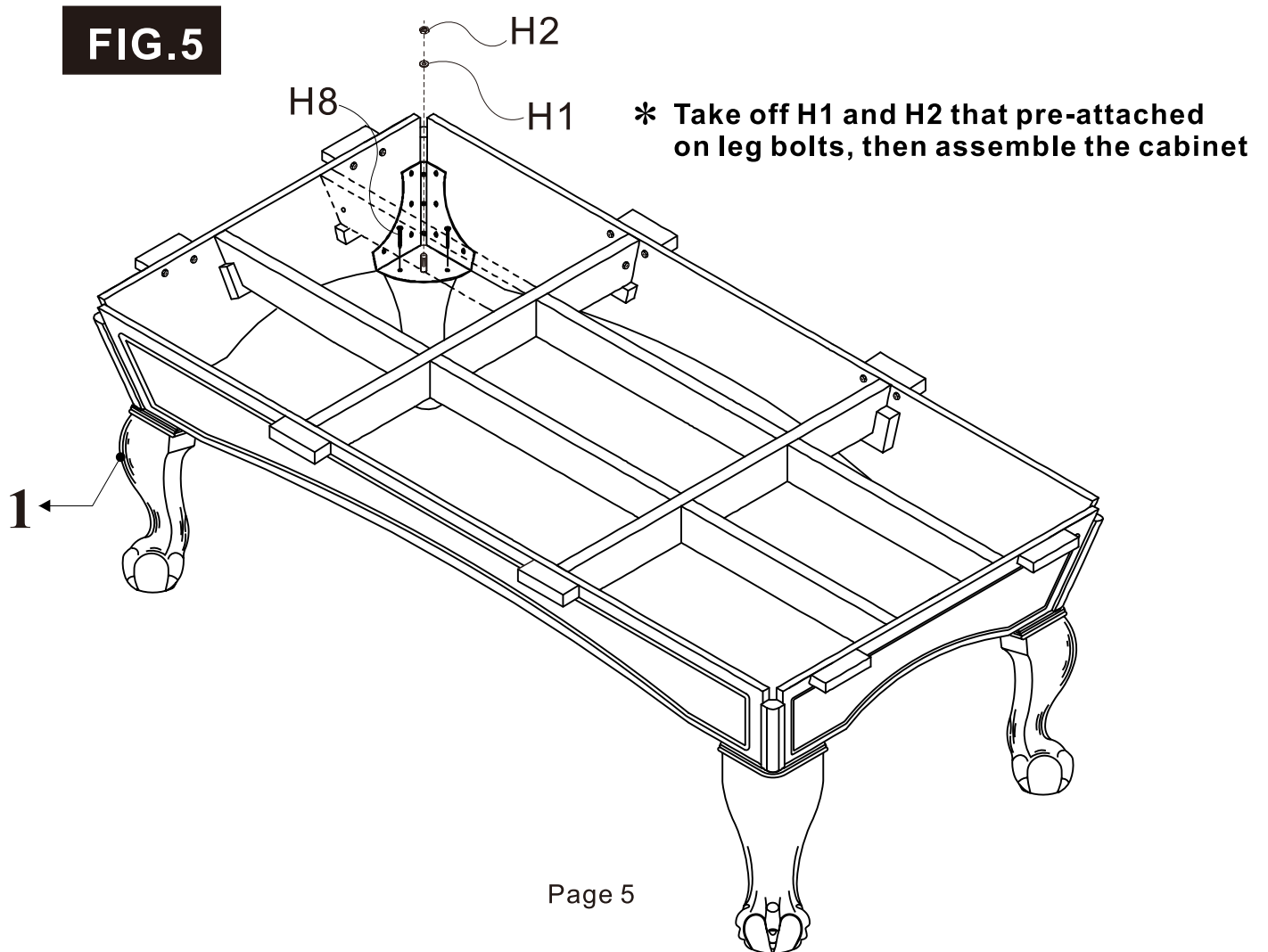
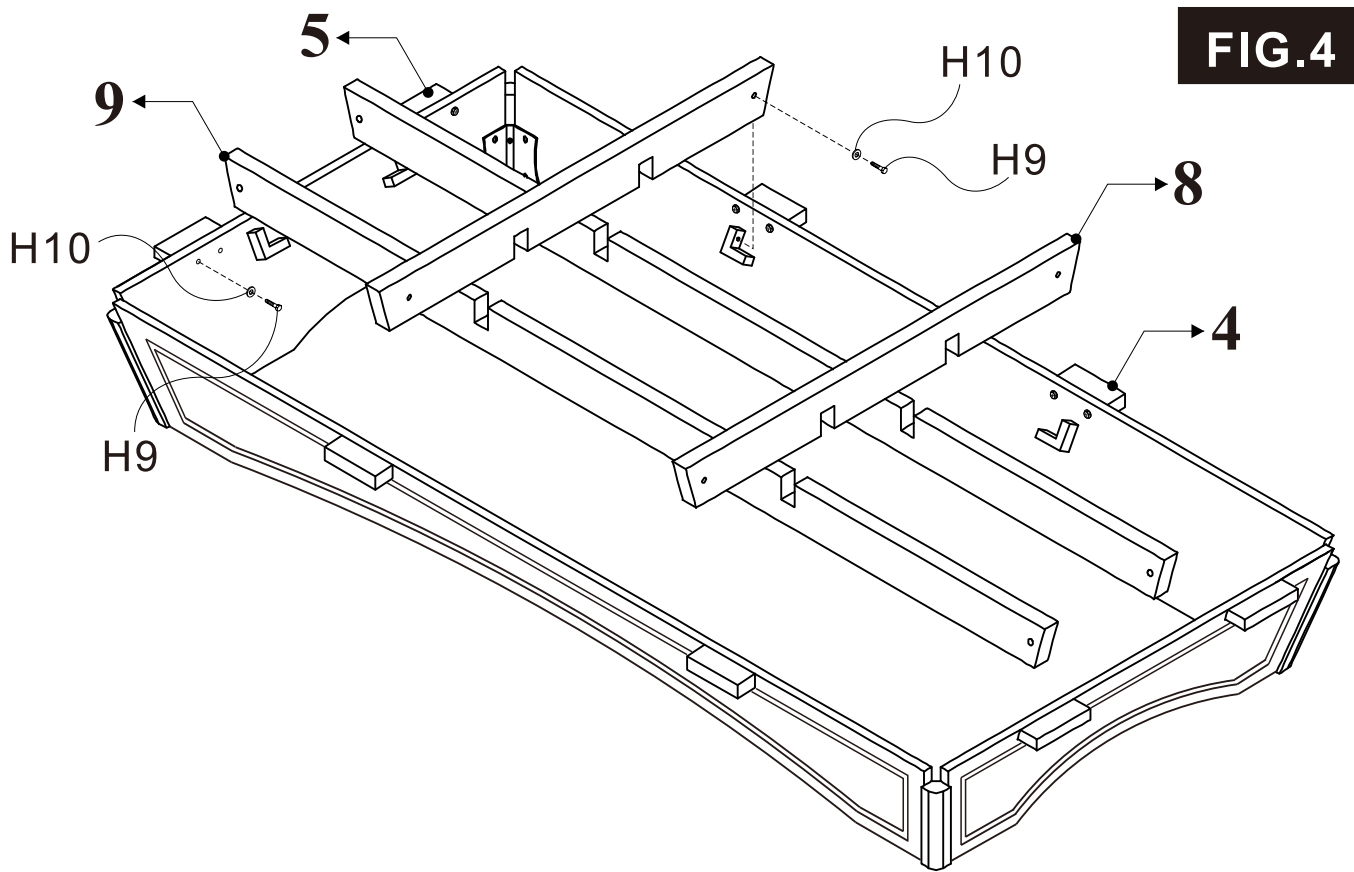


**FIG.2**

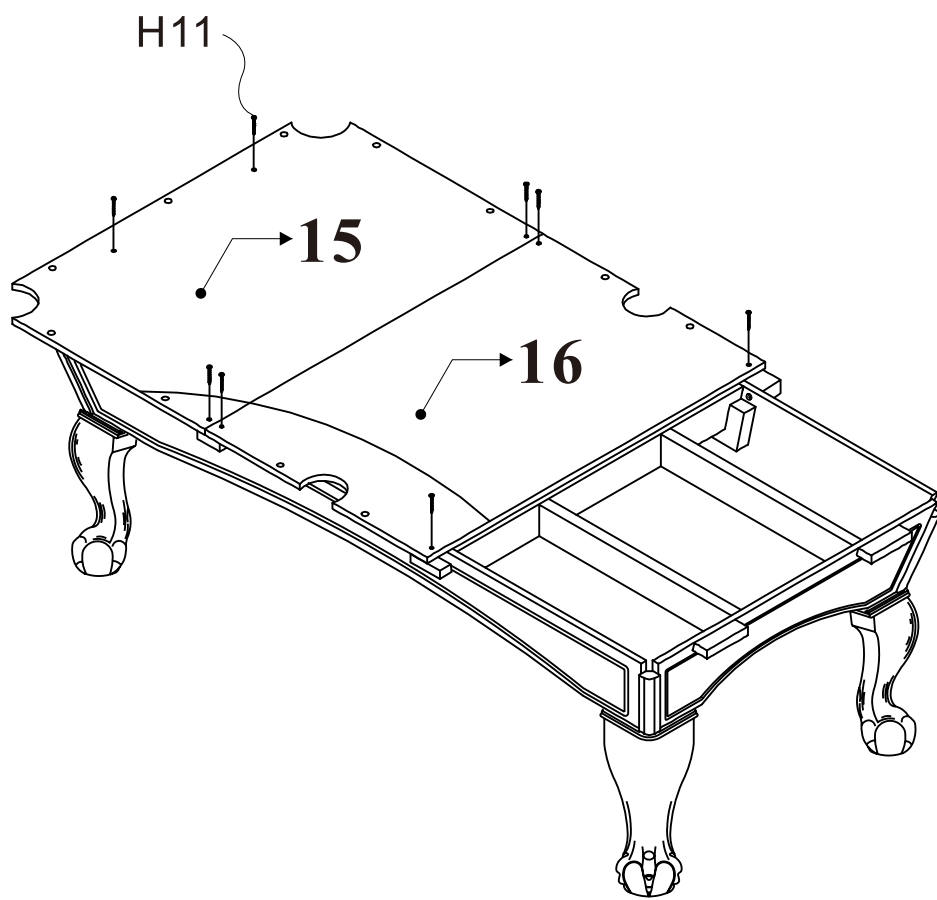


**FIG.3**

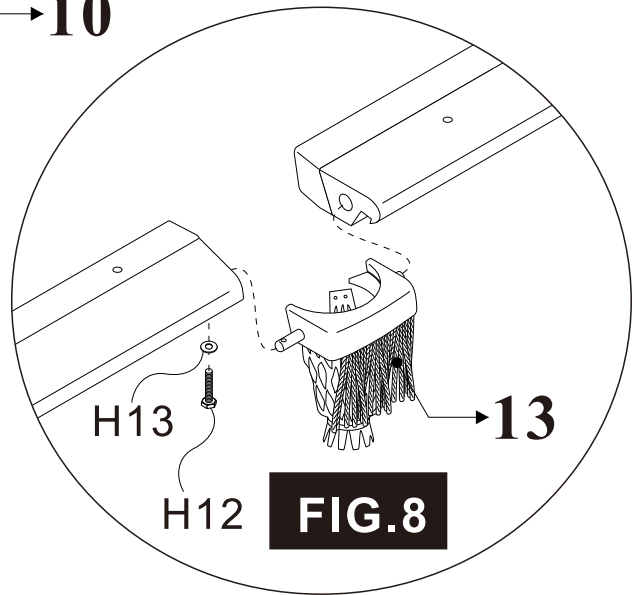
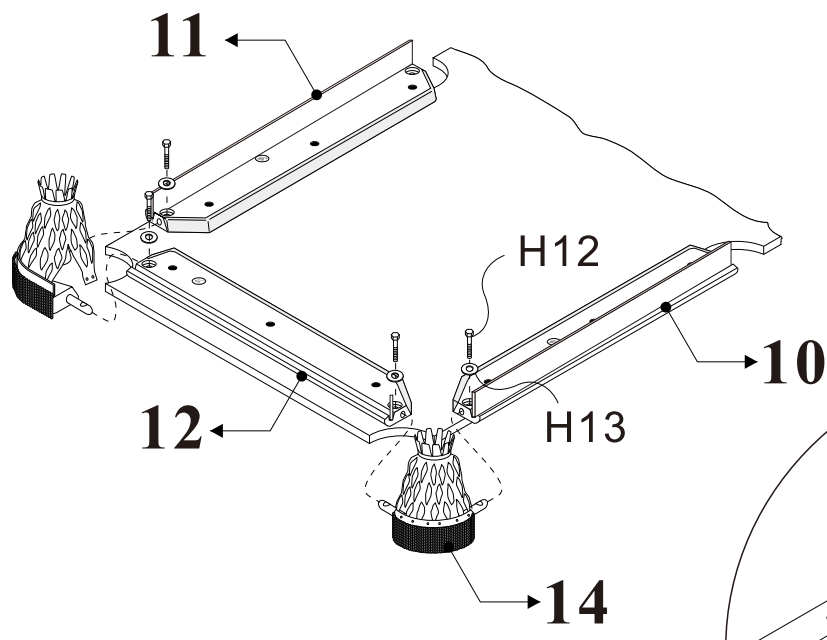




**FIG.6**



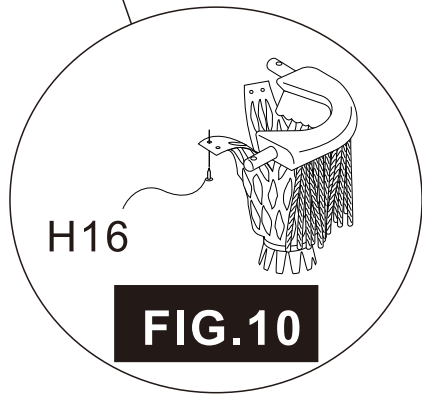
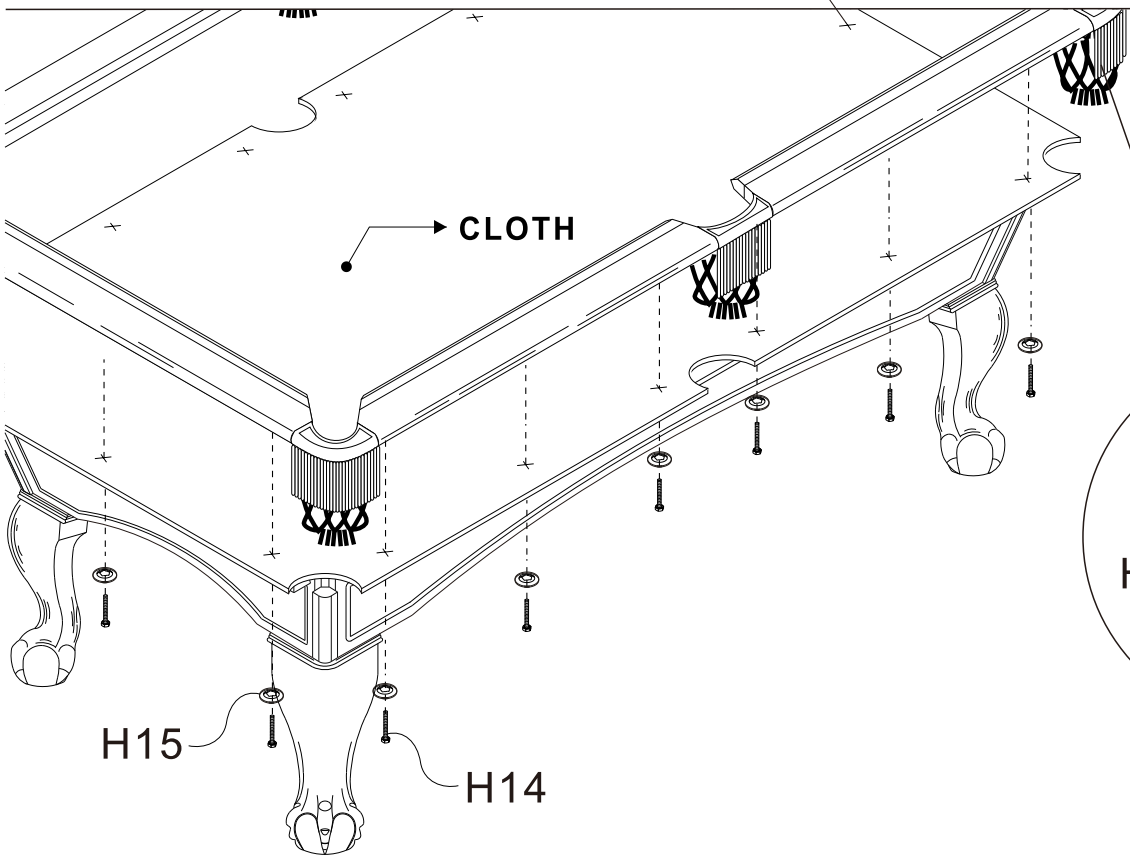
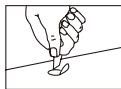
**FIG.7**



**FIG.8**

**FIG.9**

Cut holes in cloth at rail both locations.



**FINISH**

