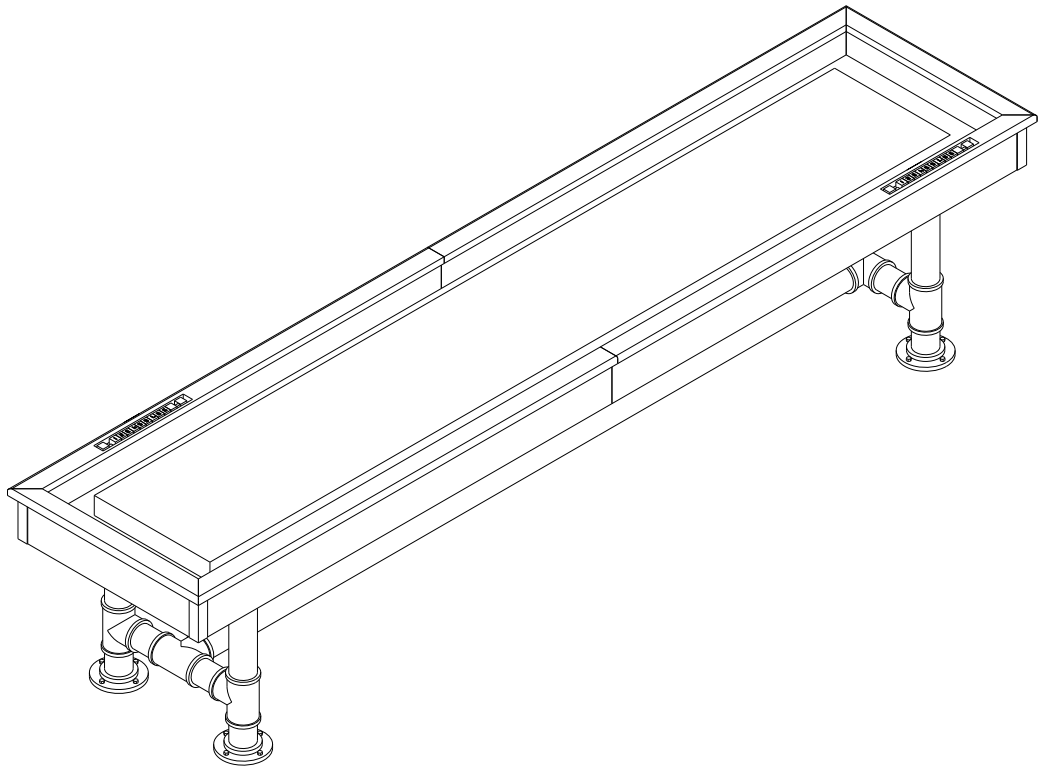
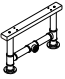

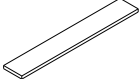
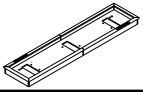


9' BEDFORD



SHUFFLEBOARD TABLE ASSEMBLY INSTRUCTIONS

REPLACEMENT PARTS LIST

PACKAGE	ITEM#	SAMPLE	DESCRIPTION	QTY.
LEG	1		LEG	2
	2		LEG CONNECTION TUBE	2
CABINET	3		PLAYBOARD	1
	4		CABINET	1

REPLACEMENT PARTS LIST(HARDWARE)







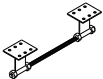
PACKAGE	ITEM#	SAMPLE	DESCRIPTION	QTY.
LEG	H1		HEX HEAD CROSS BOLT 5/16" X 2"(M8X51mm)	8
	H2		FLAT WASHER 5/16" I.D.	8
CABINET	H3		HEX HEAD CROSS BOLT 5/16" X 2"(M8X51mm)	6
	H4		FLAT WASHER 5/16" I.D.	6
	H5		HEX HEAD CROSS BOLT 5/16" X 1"(M8X25mm)	36
	H6		FLAT WASHER 5/16" I.D.	36
	H7		CLIMATIC ADJUSTERS	3

FIG.1

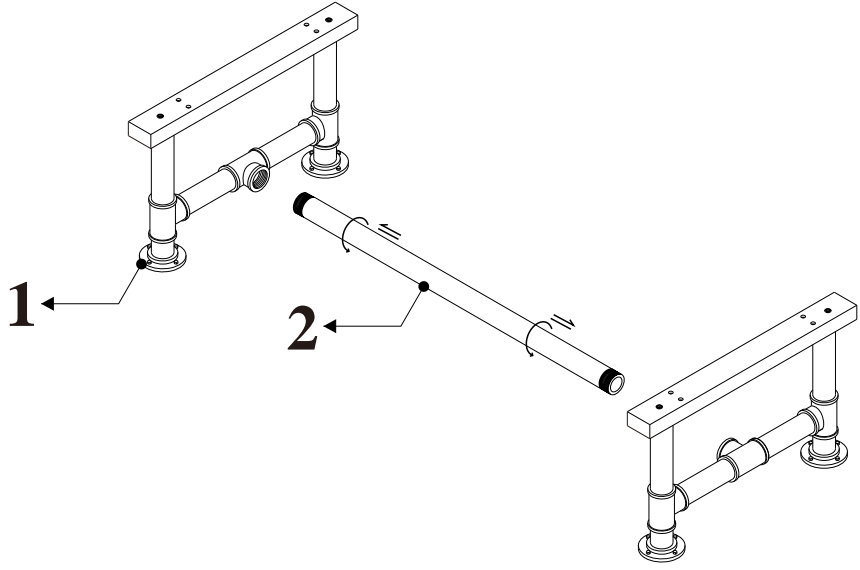


FIG.2

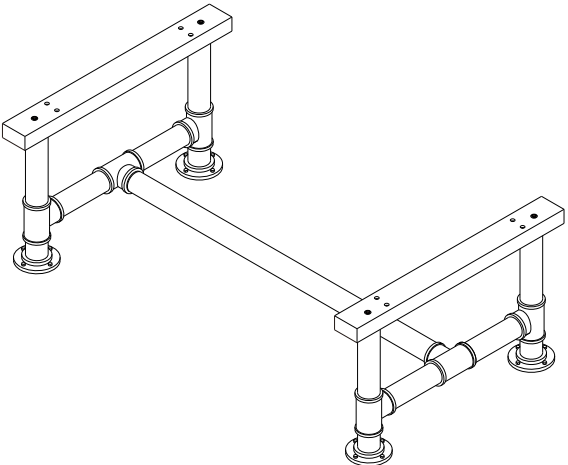


FIG.3

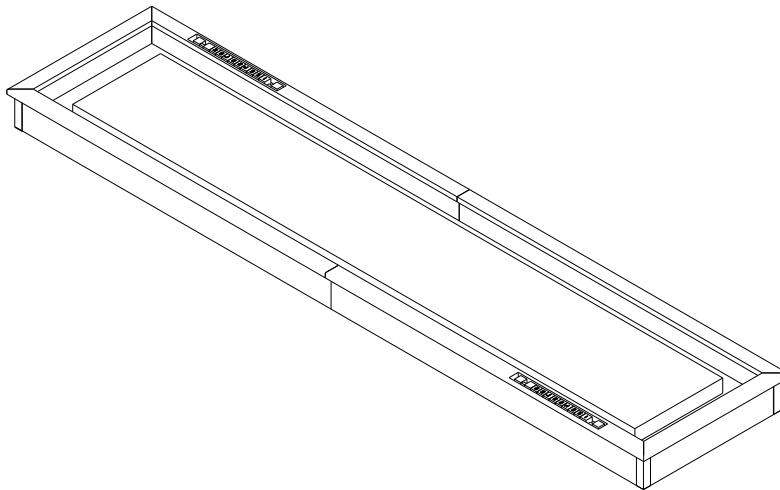
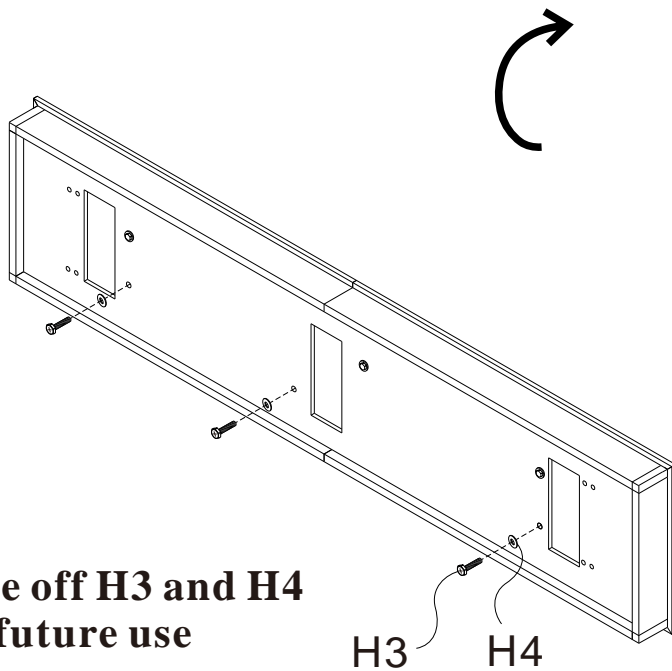


FIG.4



*** Take off H3 and H4
for future use**

FIG.5

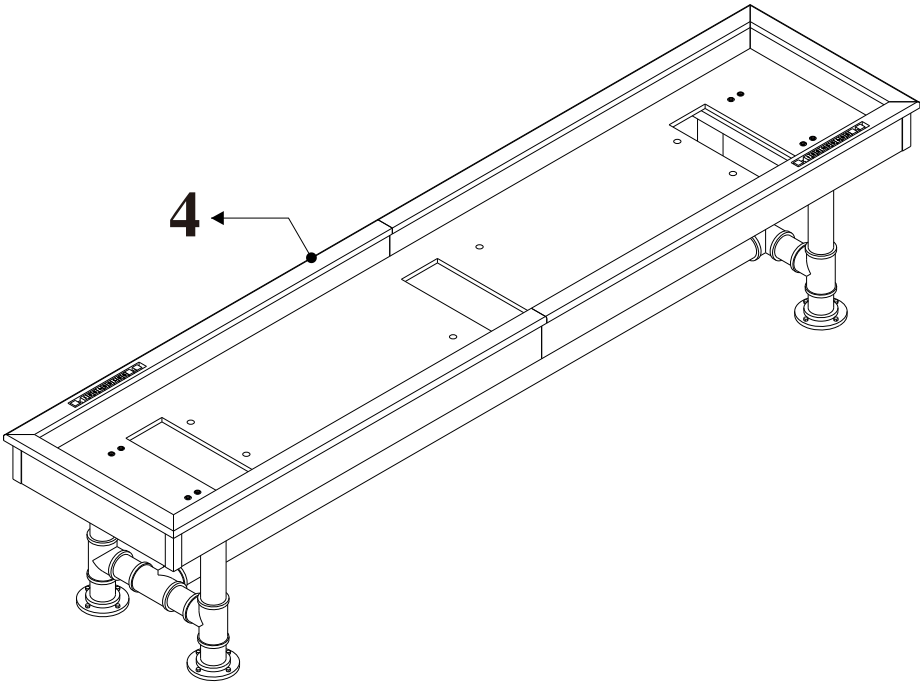


FIG.6

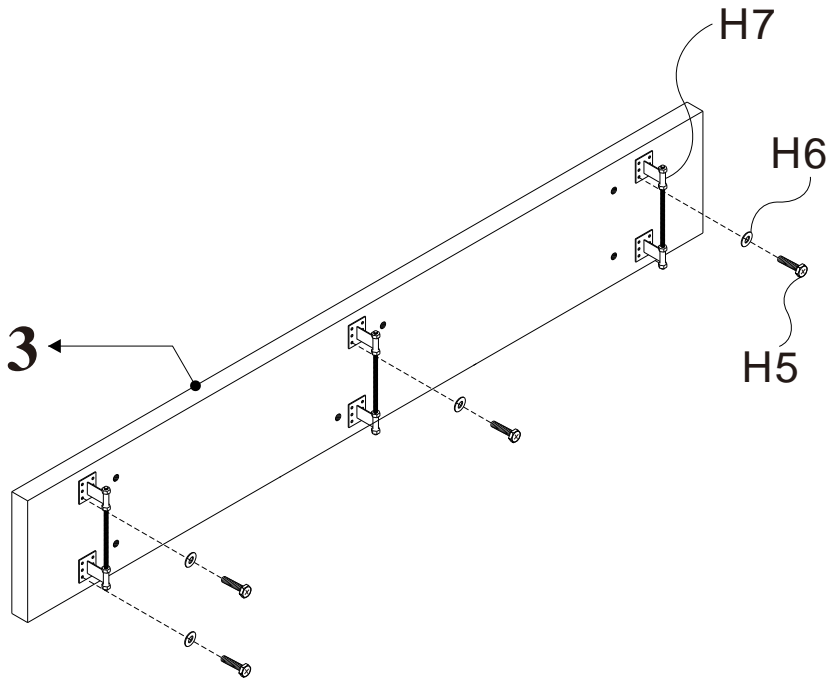


FIG.7

*** Remove playboard**

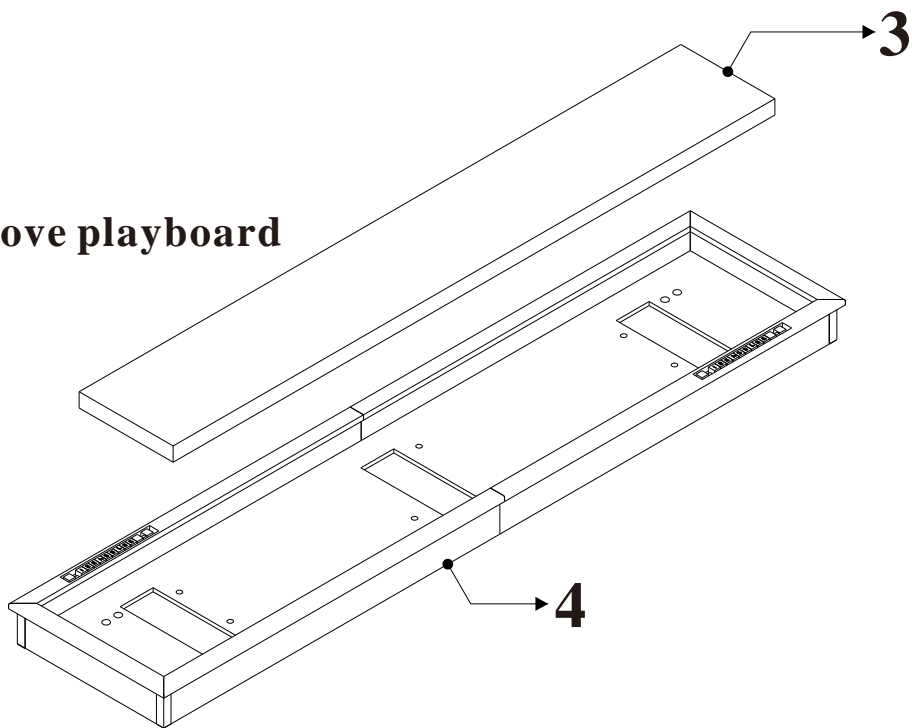
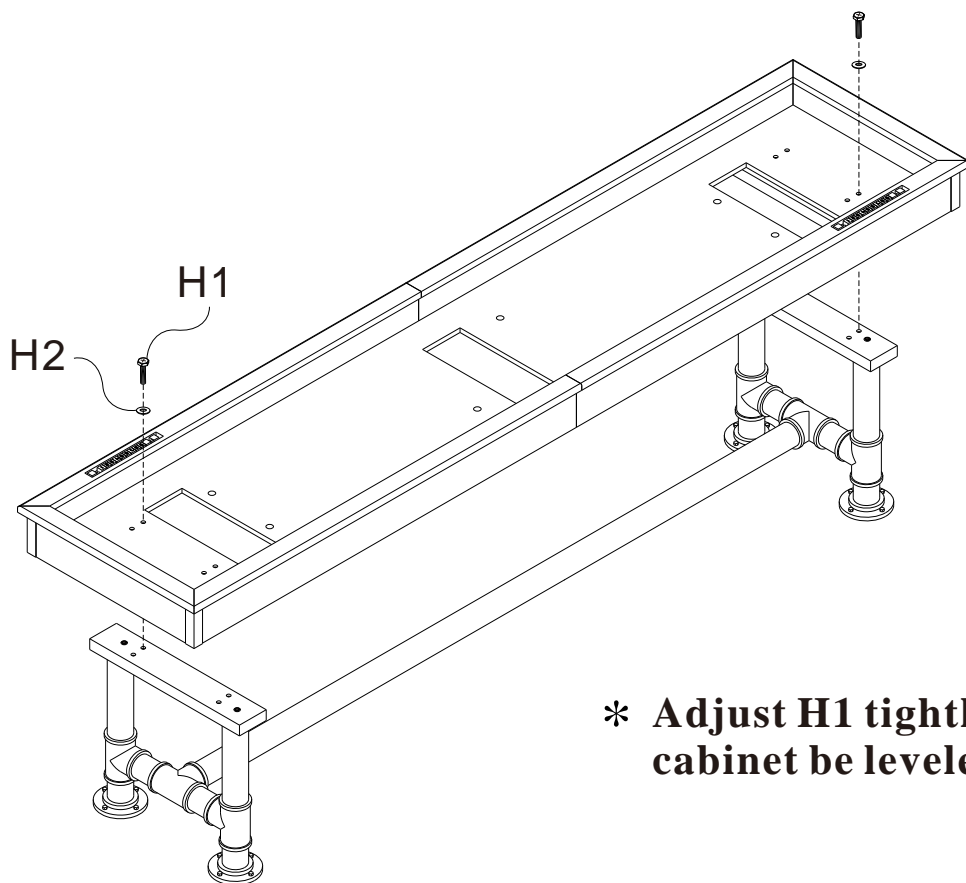
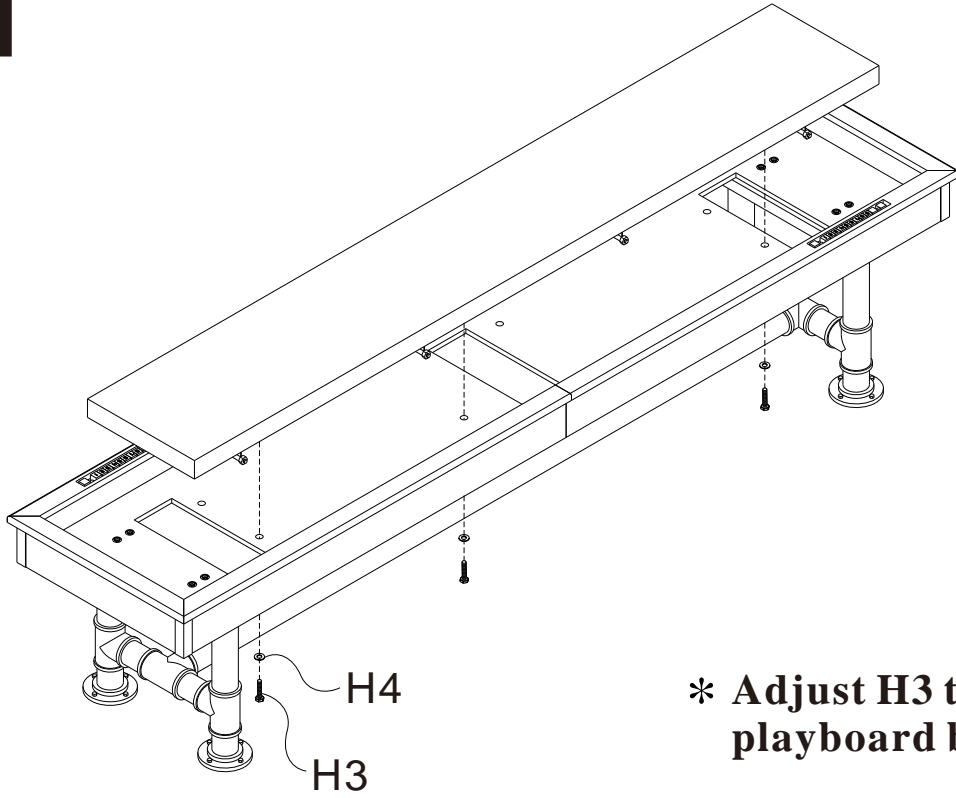


FIG.8



*** Adjust H1 tightly after cabinet be leveled**

FIG.9



*** Adjust H3 tightly after playboard be leveled**

FINISH

