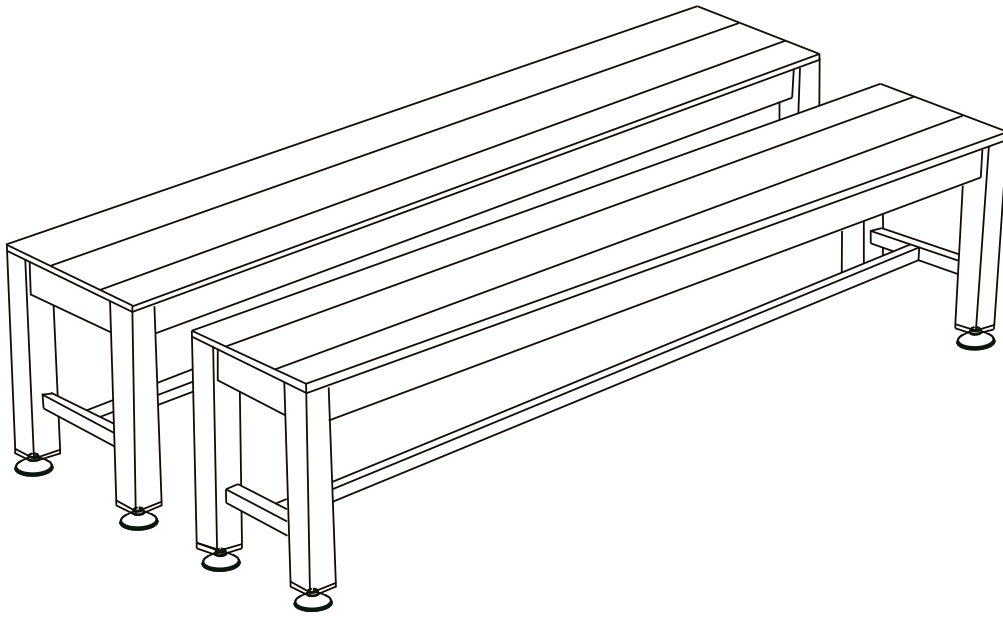


IM-26-7311 Manual



WARNING!

Please follow these instructions when the table is not in use.

This table is built and designed for outdoor use.

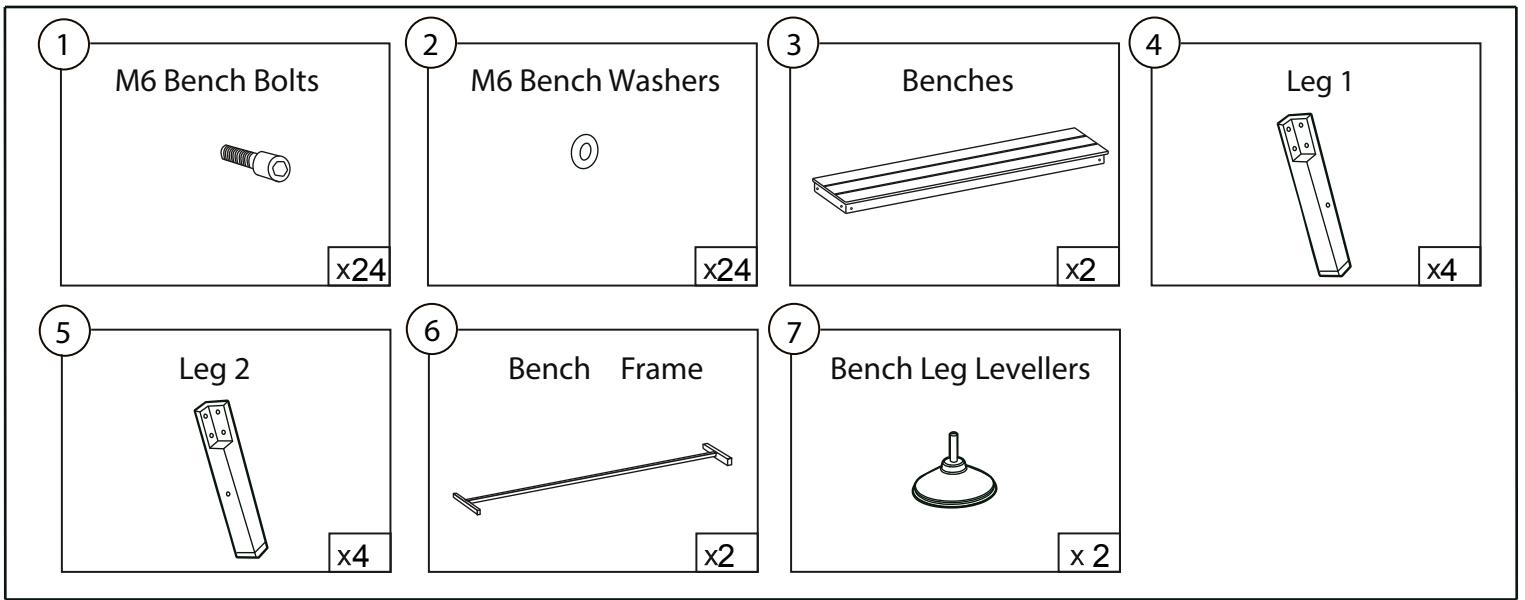
All components are weather resistant.

However, to prolong the life of this product, when stored outside and not in use, always cover with the all weather cover provided.

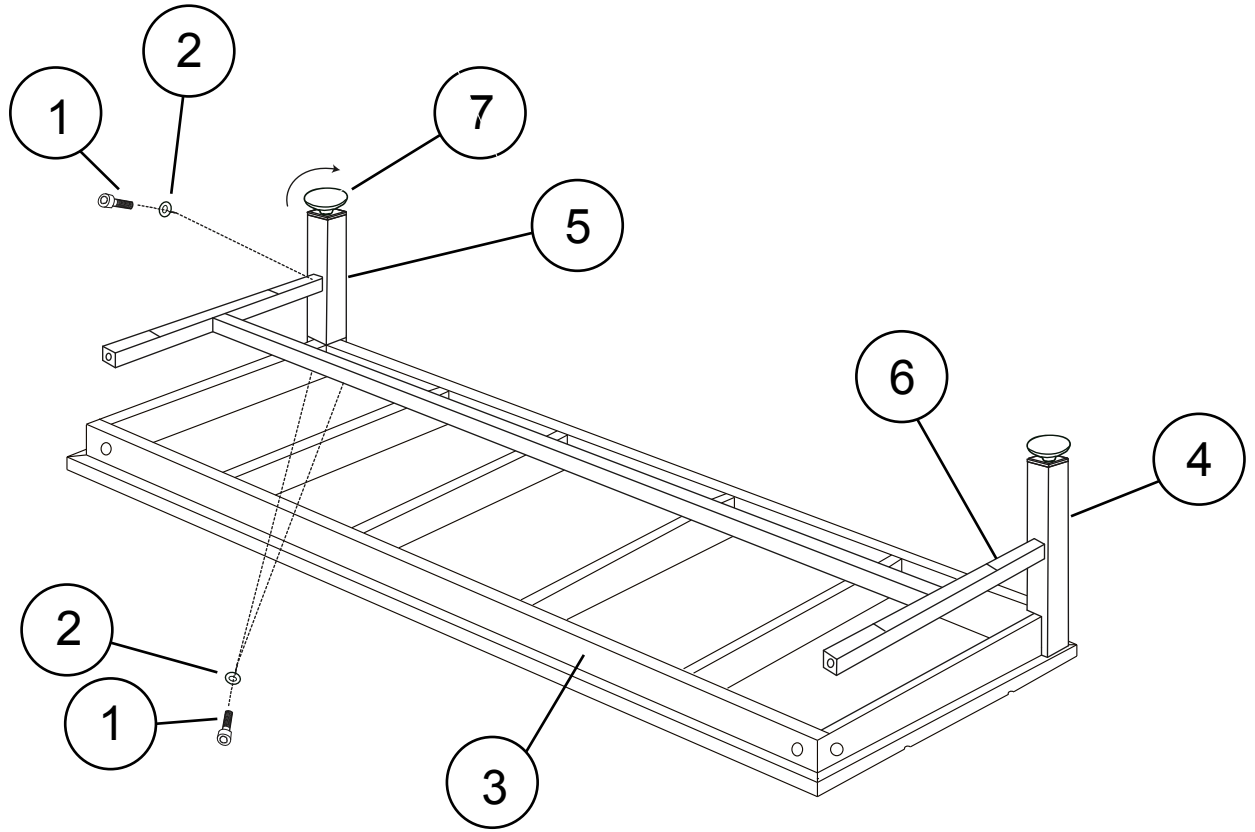
Store the benches under the table out of direct sun light.

This will protect the product from rain, dust and sun light.

All accessories should be stored inside to maximise the life span of the accessories.



STEP 1



STEP 2

