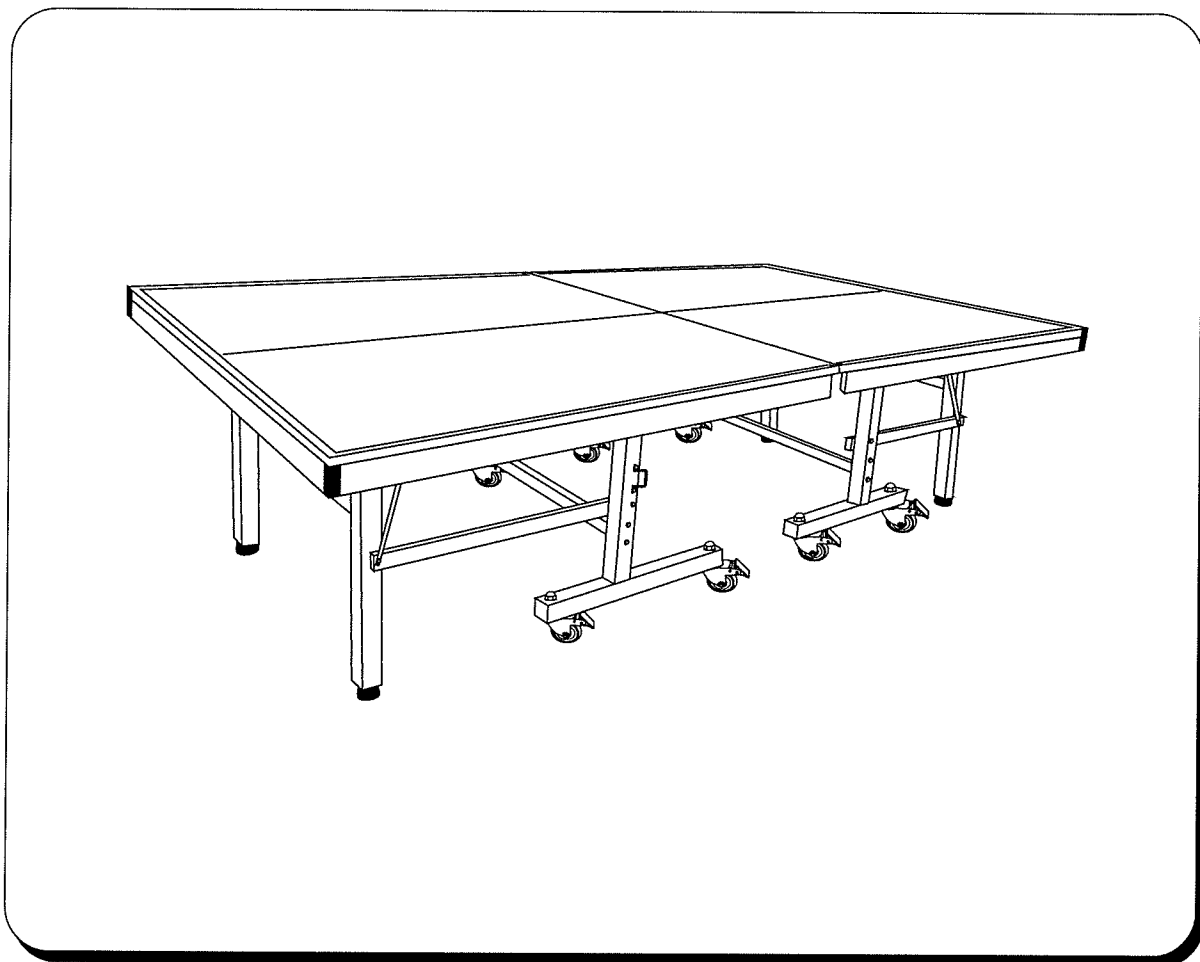
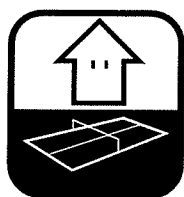


# ASSEMBLY INSTRUCTION

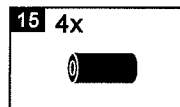
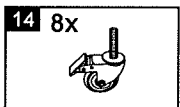
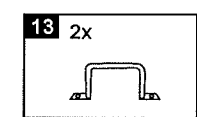
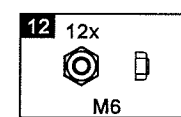
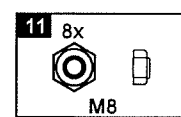
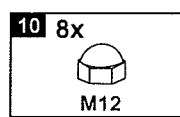
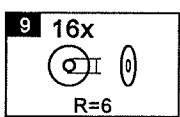
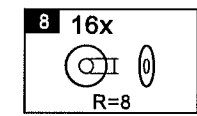
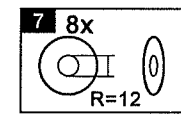
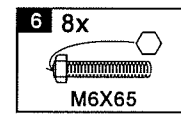
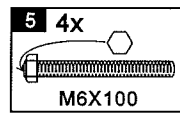
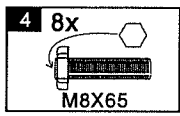
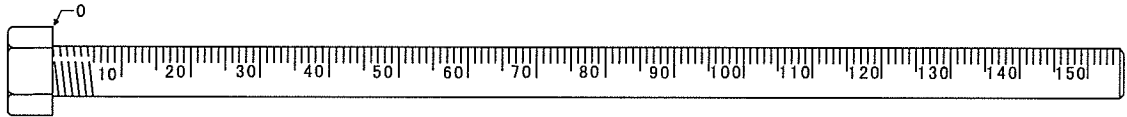
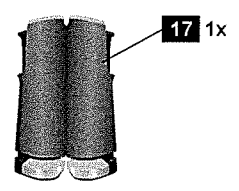
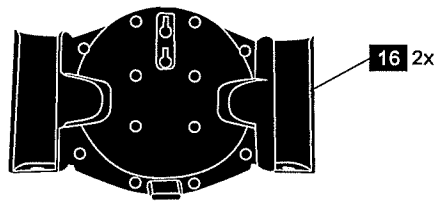
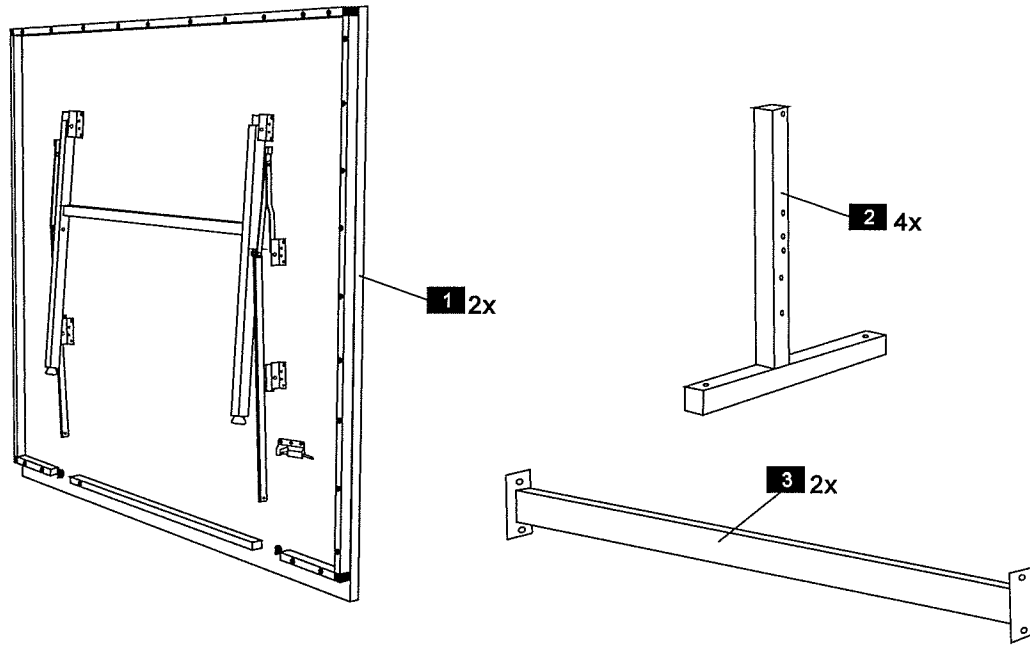


**21-380**

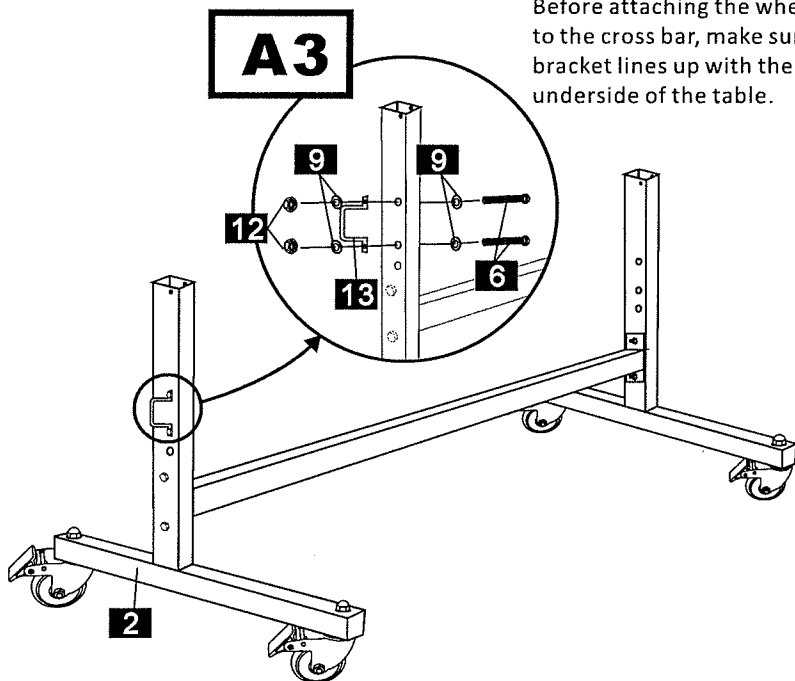
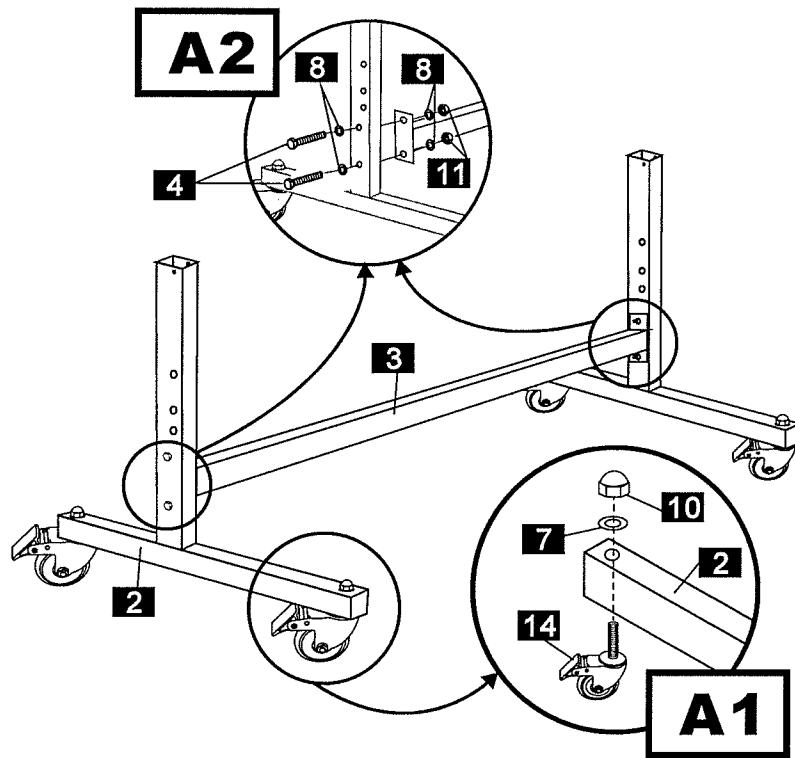
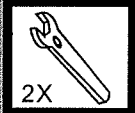


**INDOOR**

# PARTS LIST



# A

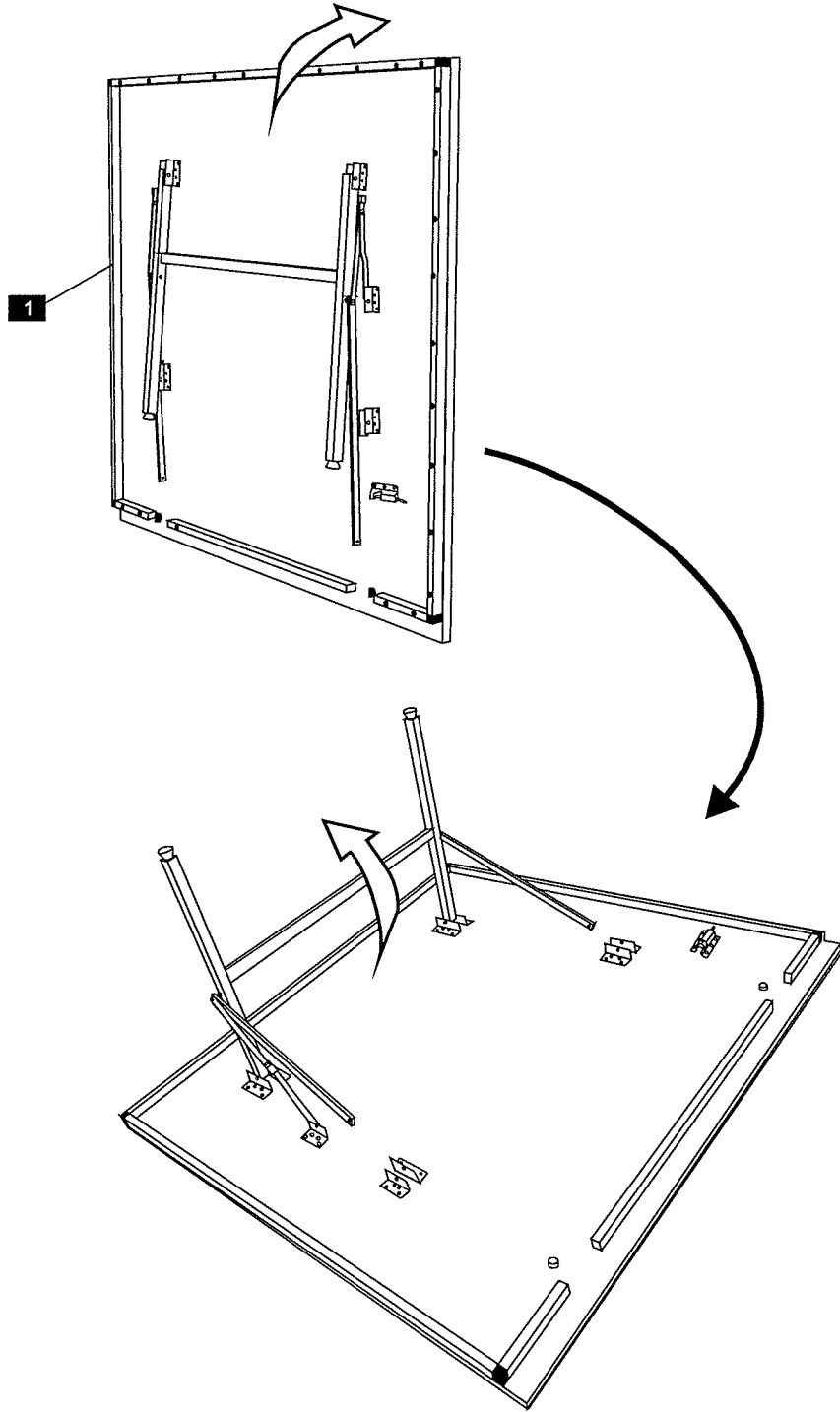


Before attaching the wheel assembly to the cross bar, make sure the locking bracket lines up with the latch on the underside of the table.

**B**

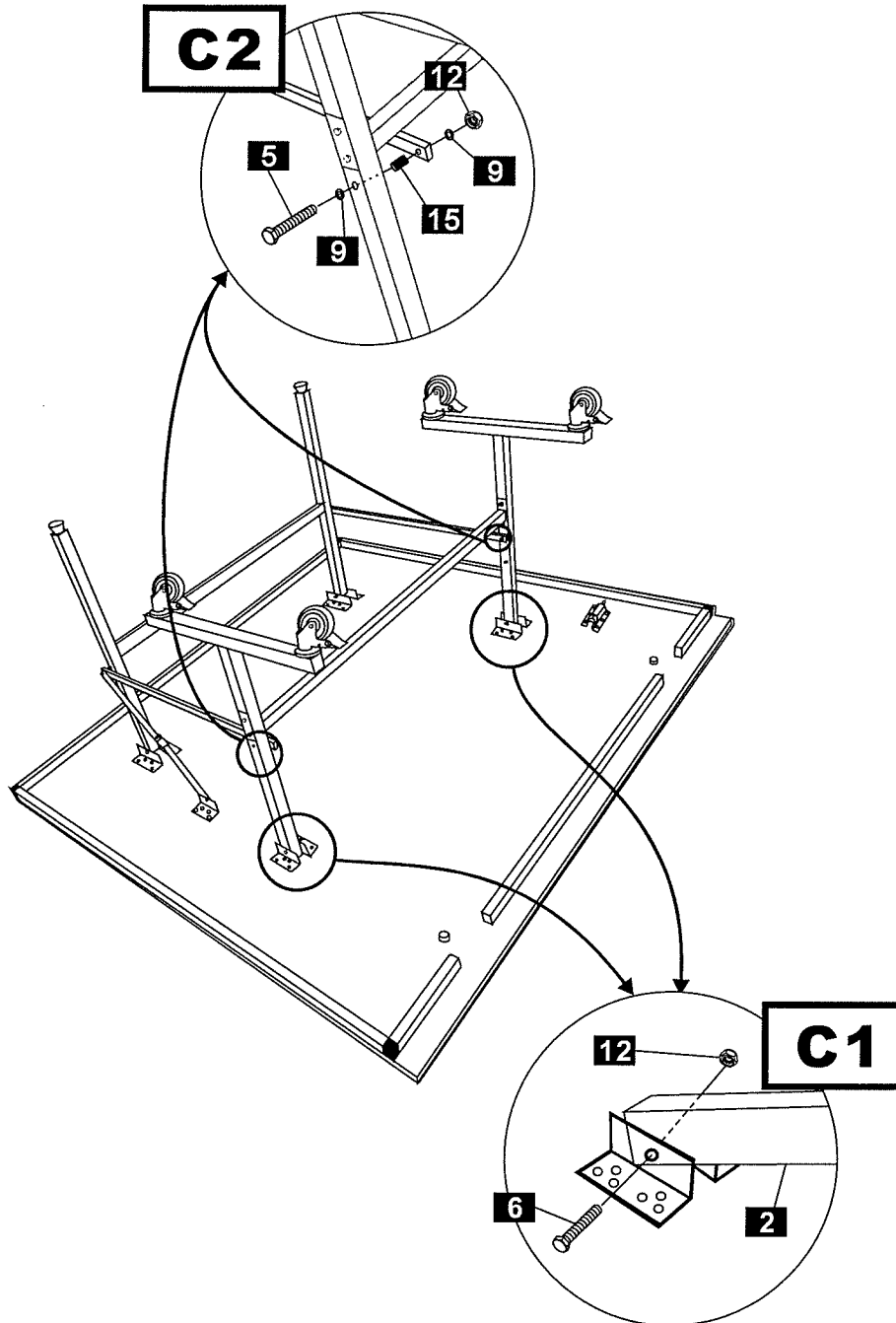


*\*Repeat these assembly steps with the other half of the table.*



**C**

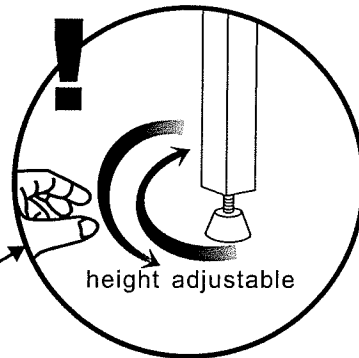
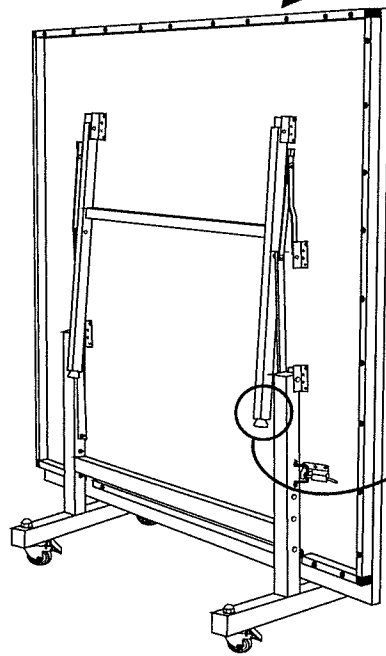
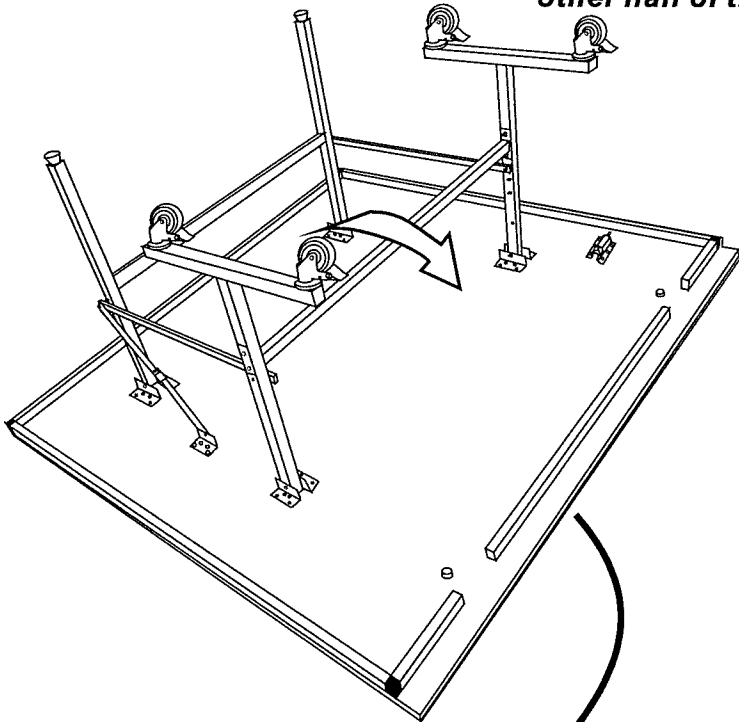
*\*Repeat these assembly steps with the other half of the table.*



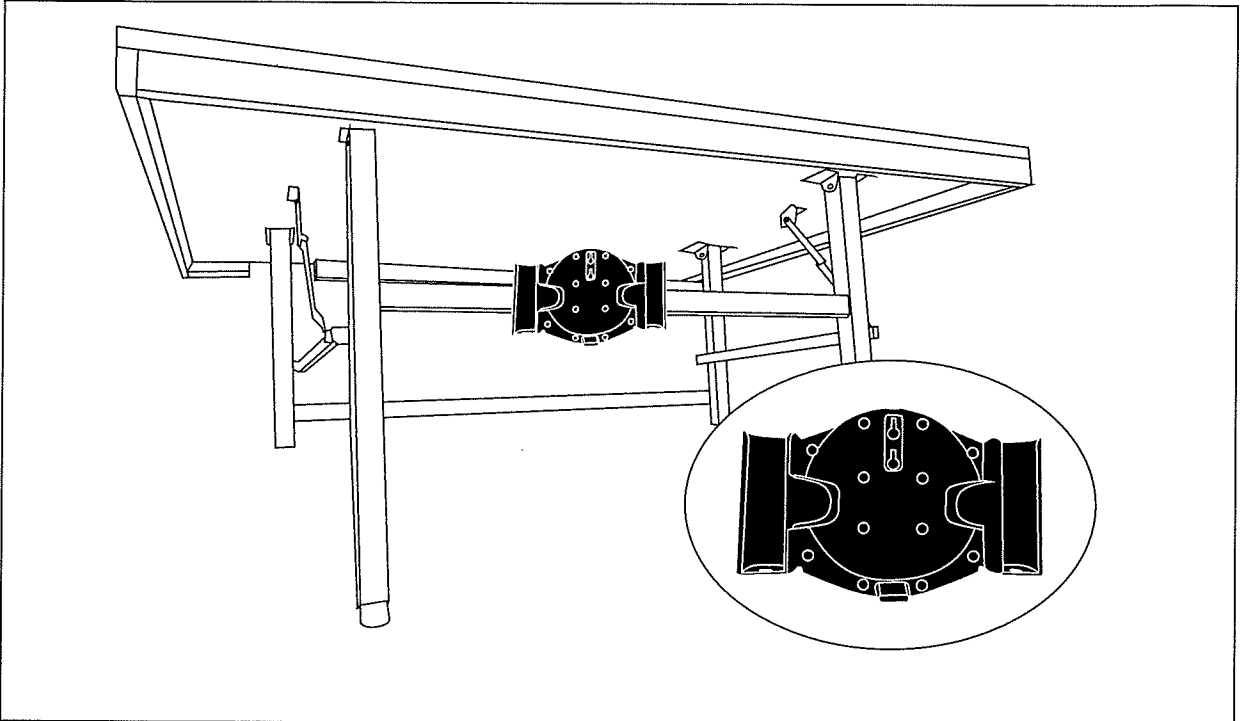
**D**



*\*Repeat these assembly steps with the other half of the table.*



WARNING: PLS OPEN ALL THE LOCK ON THE WHEELS WHEN MOVE THE TABLES. OTHERWISE, THE WHEELS WILL BE EASY TO DAMAGE.



## ASSEMBLE INSTRUCTION

