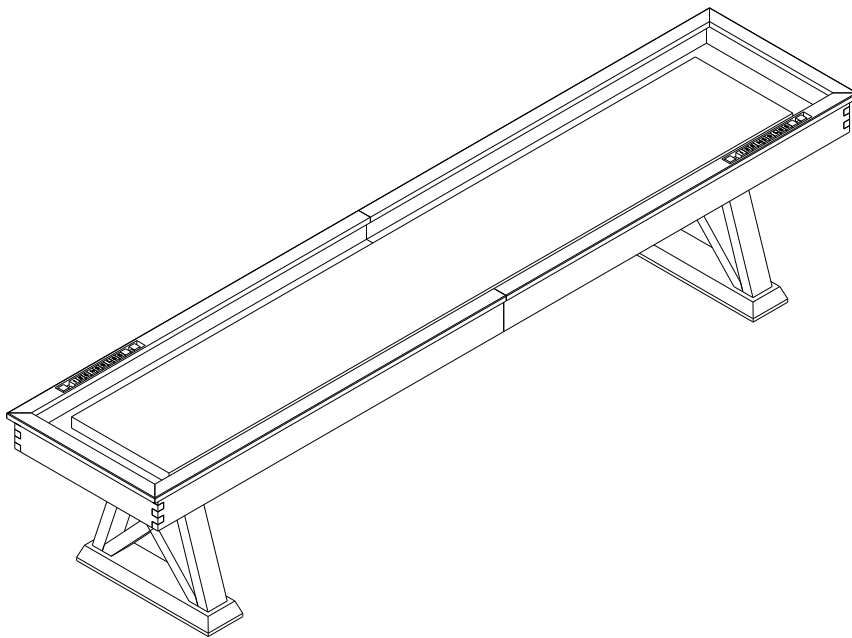



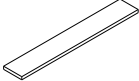
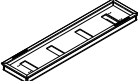
26-0815

12' LAREDO



SHUFFLEBOARD TABLE ASSEMBLY INSTRUCTIONS

REPLACEMENT PARTS LIST

PACKAGE	ITEM#	SAMPLE	DESCRIPTION	QTY.
LEG	1		LEG	2
CABINET	2		PLAYBOARD	1
	3		CABINET	1

REPLACEMENT PARTS LIST(HARDWARE)



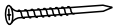


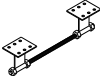
PACKAGE	ITEM#	SAMPLE	DESCRIPTION	QTY.
LEG	H1		HEX HEAD CROSS BOLT 5/16" X 2"(M8X51mm)	8
	H2		FLAT WASHER 5/16" I.D.	8
CABINET	H3		FLAT HEAD SCREW #8 X 2"(M4X50mm)	6
	H4		HEX HEAD CROSS BOLT 5/16" X 1"(M8X25mm)	48
	H5		FLAT WASHER 5/16" I.D.	48
	H6		CLIMATIC ADJUSTERS	4

FIG.1

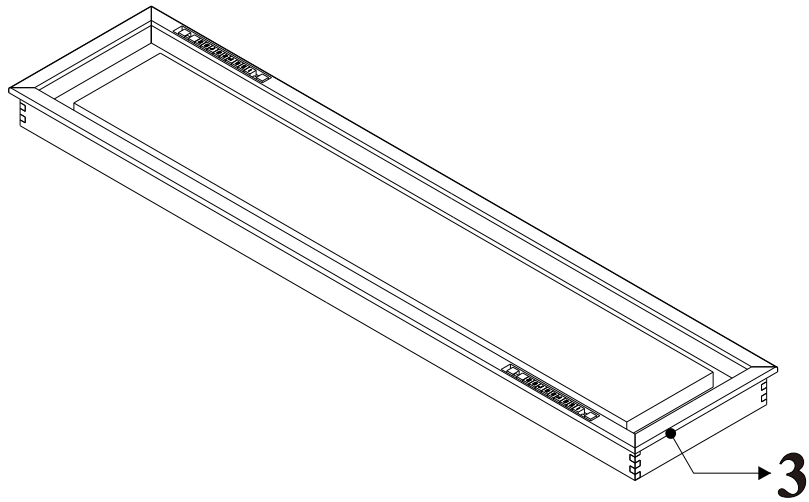
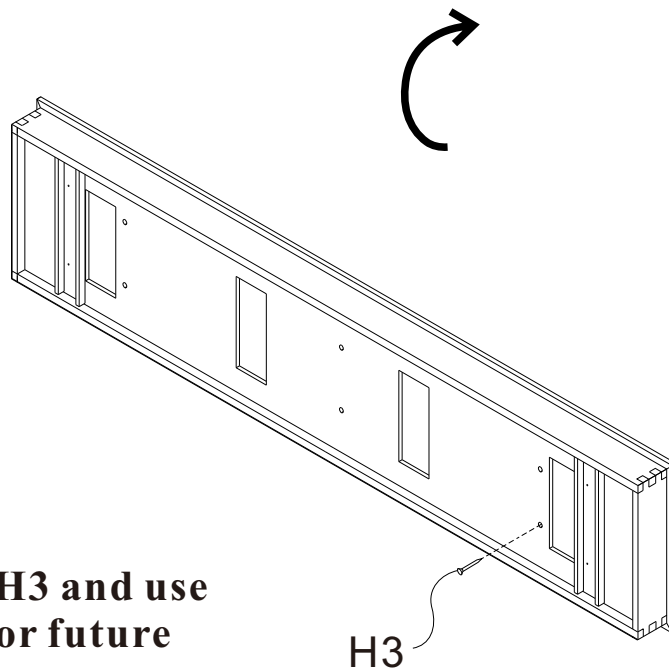


FIG.2



*** Take off H3 and use new H3 for future installation**

FIG.3

*** Remove playboard**

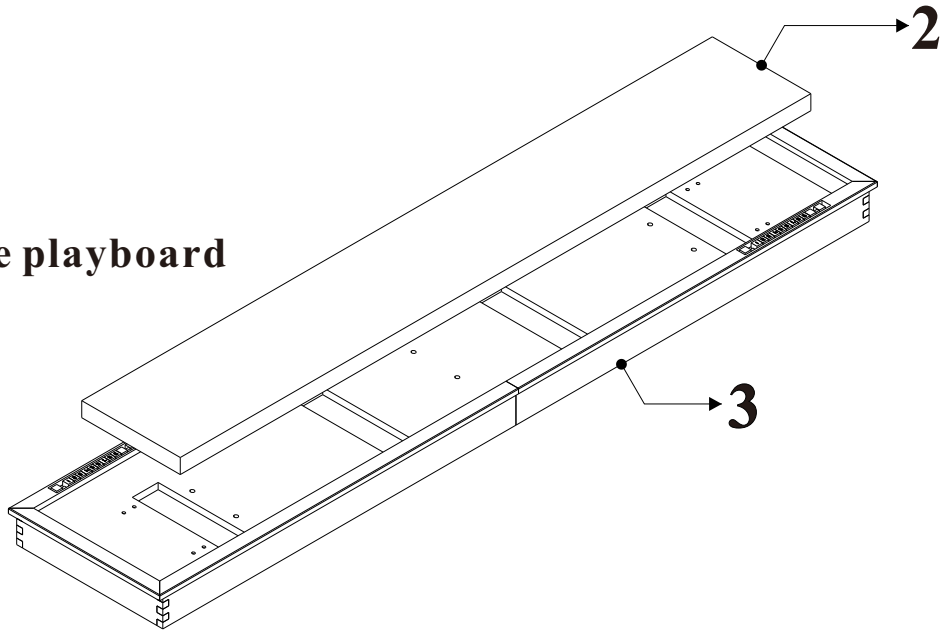
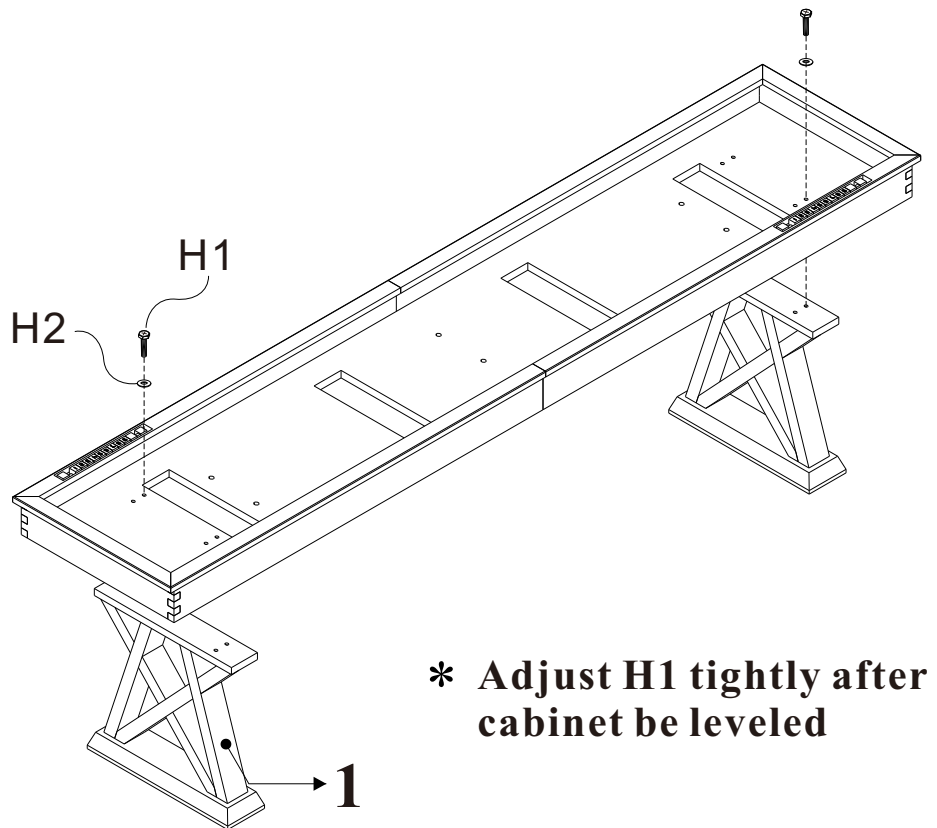


FIG.4



*** Adjust H1 tightly after cabinet be leveled**

FIG.5

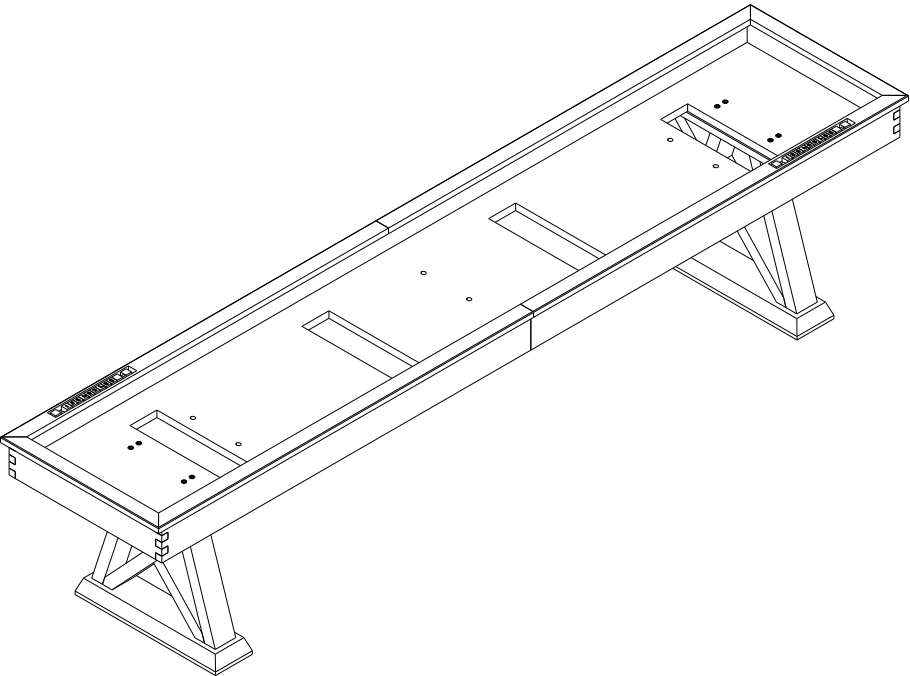


FIG.6

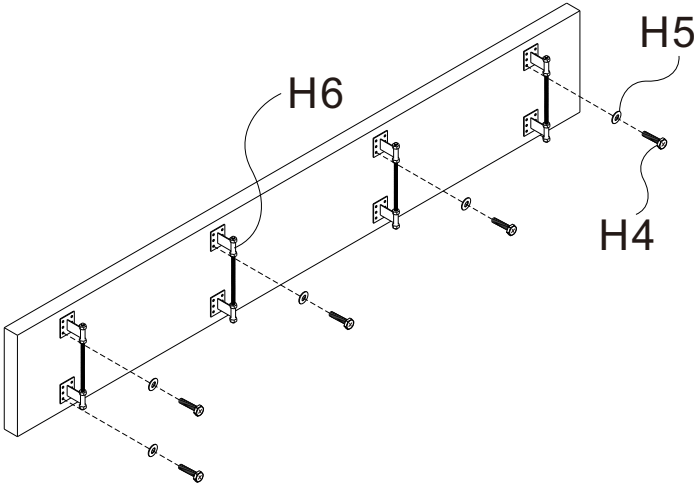
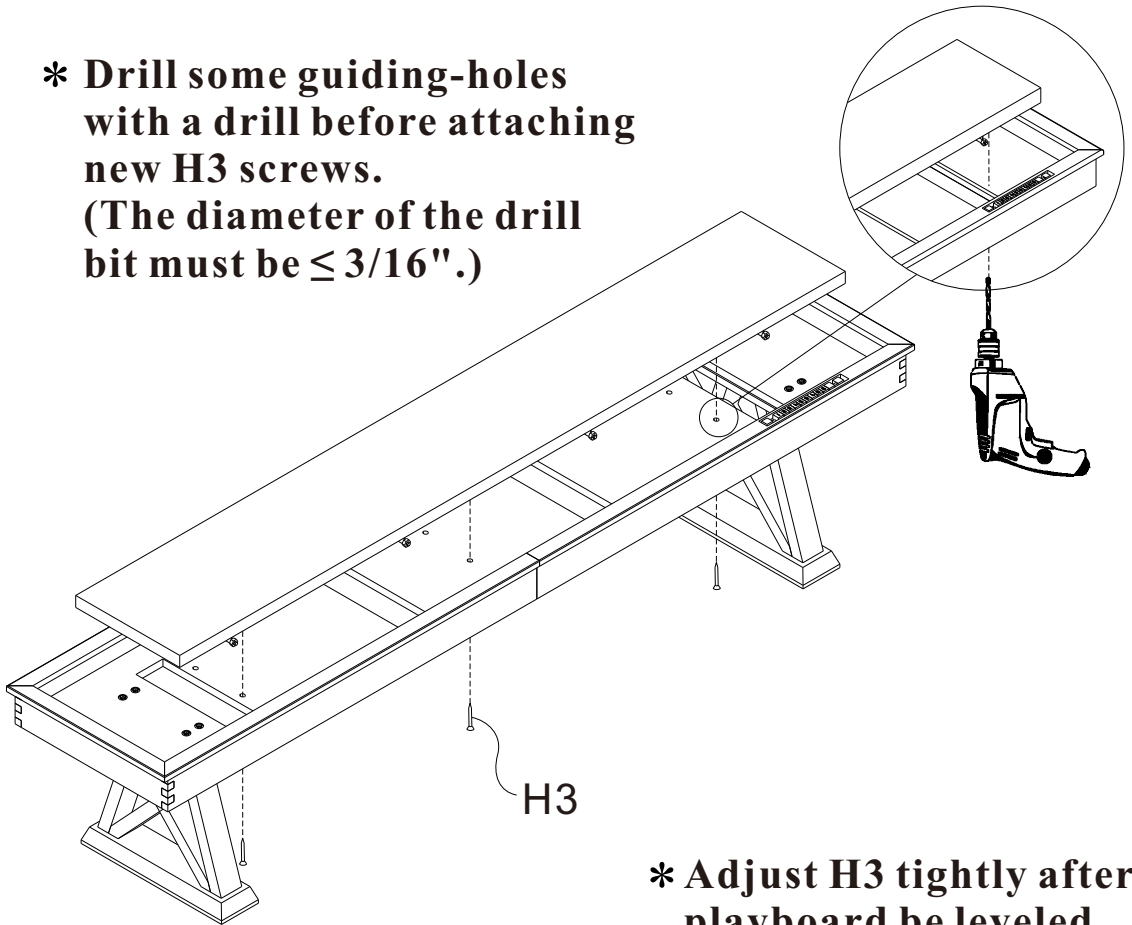


FIG.7

*** Drill some guiding-holes
with a drill before attaching
new H3 screws.
(The diameter of the drill
bit must be $\leq 3/16$ ".)**



*** Adjust H3 tightly after
playboard be leveled**

Finish

